

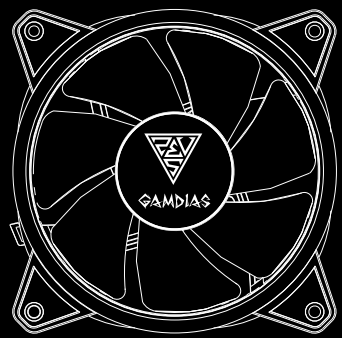
STEP by STEP INSTALLATION GUIDE



GAMDIAS 
CHIONE | M2
240R
CPU Liquid Cooler

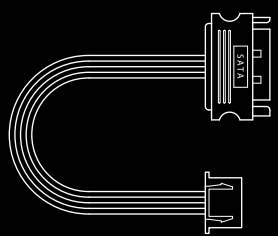
Package Contents

A



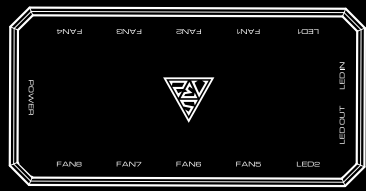
X2

D



X1

B



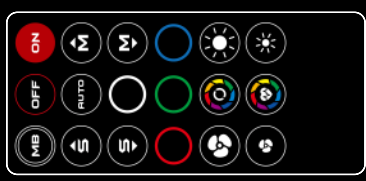
X1

F



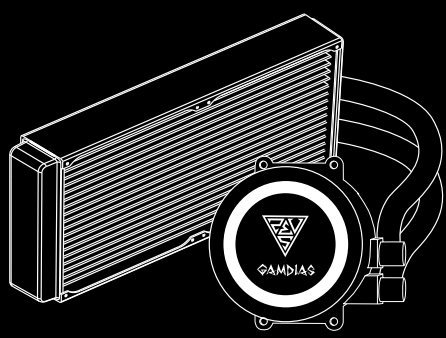
X1

C



X1

G



X1

Package Contents

H



X1

I



X4

J



X8

K



X4

L



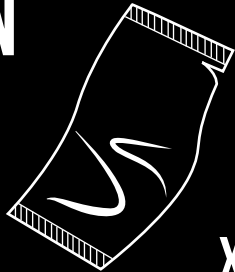
X4

M



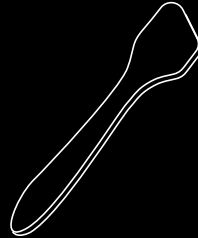
X8

N



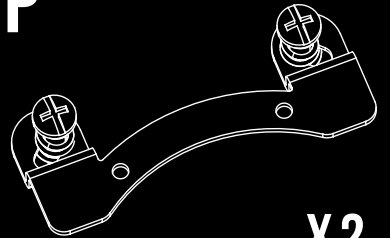
X1

O



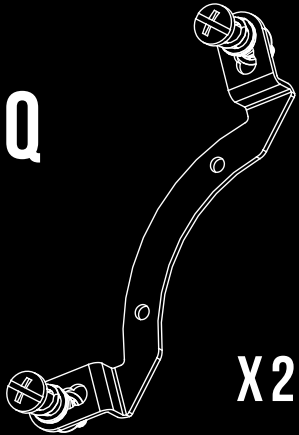
X1

P



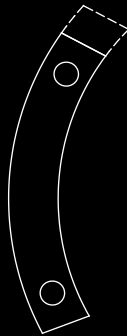
X2

Q



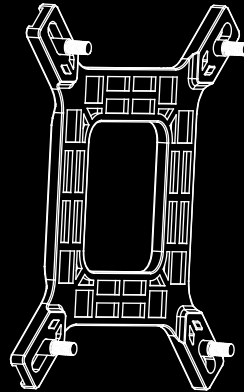
X2

R



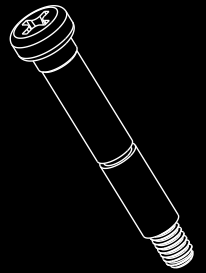
X2

S



X1

T



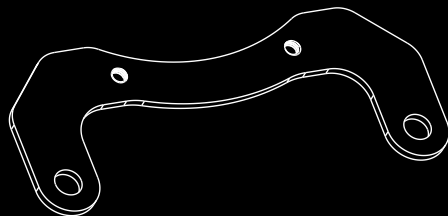
X4

U



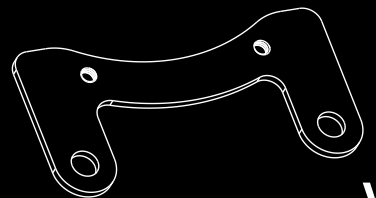
X4

V



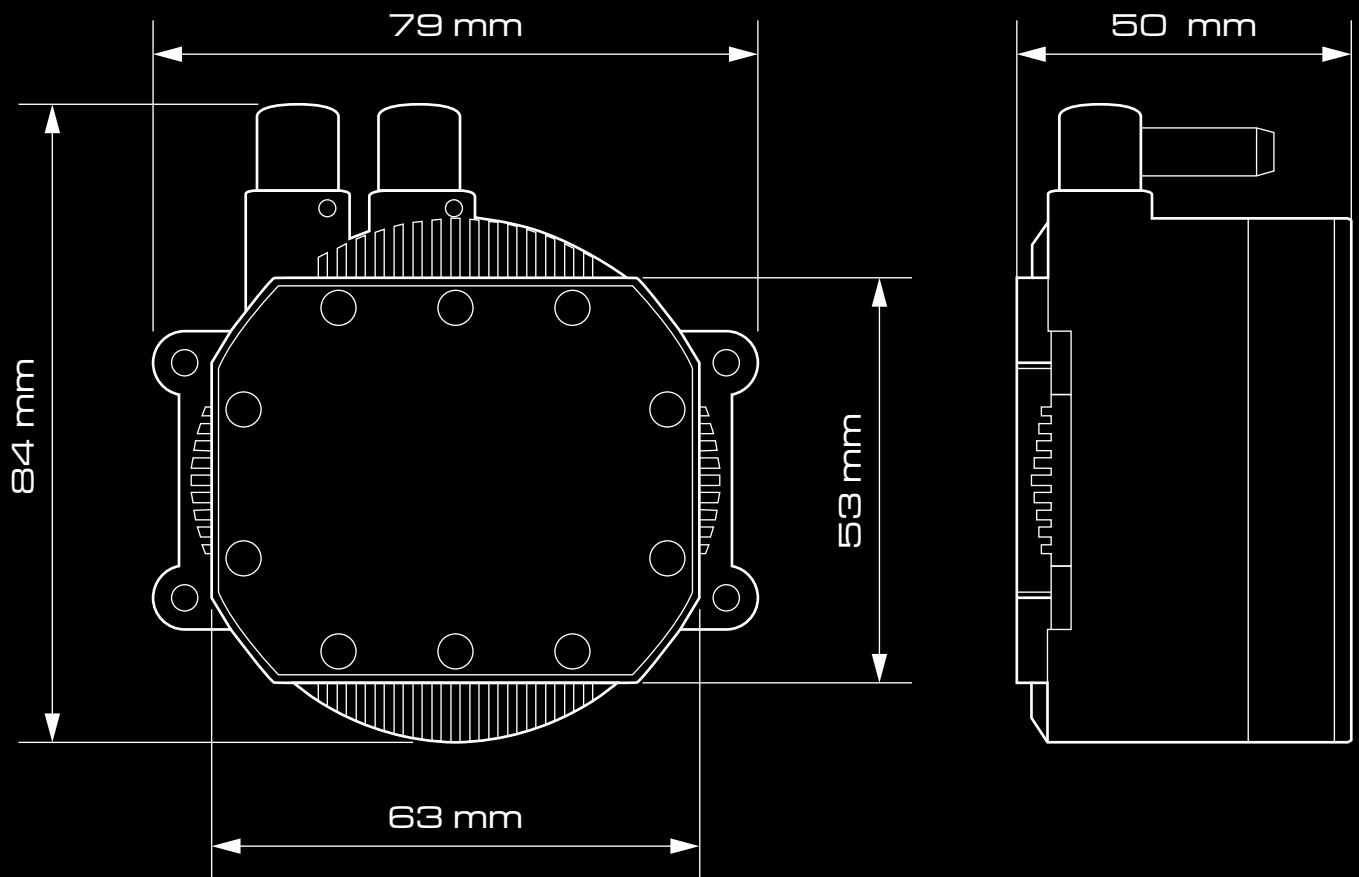
X1

W



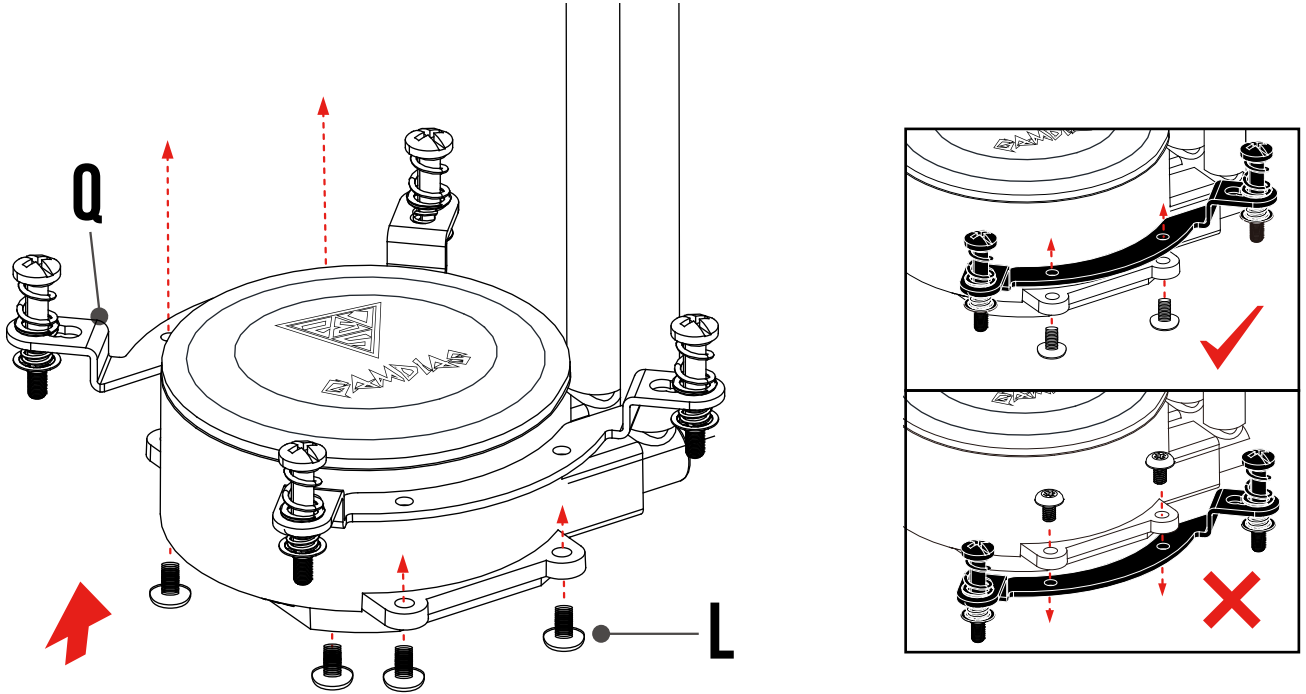
X1

Pump Dimensions

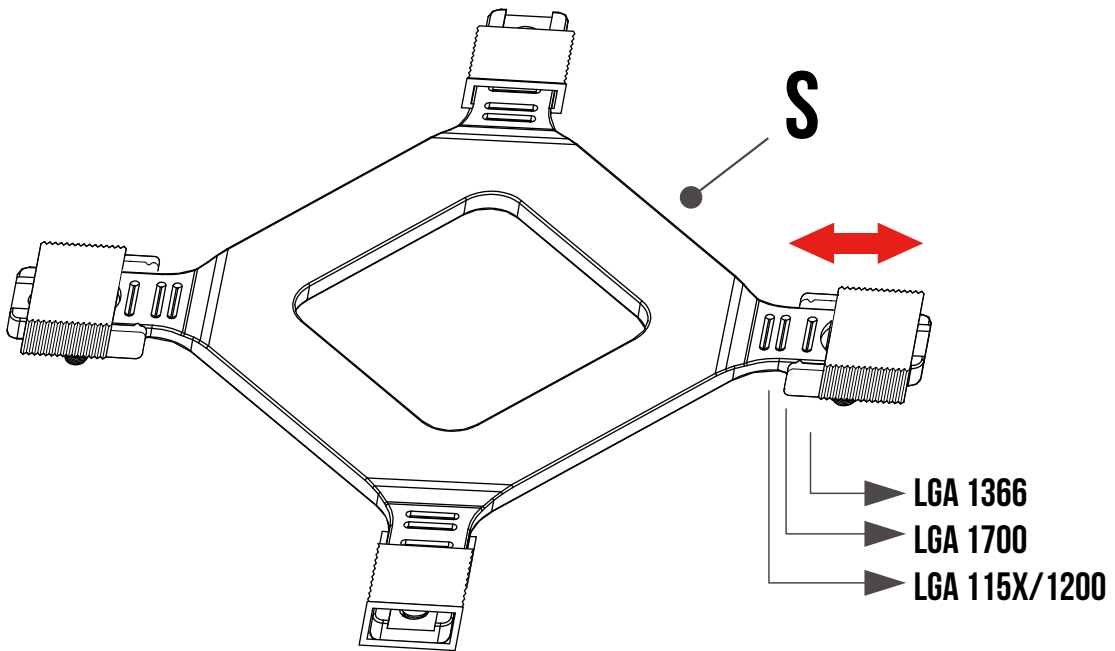


INTEL (LGA 1366/115X/1200)

1

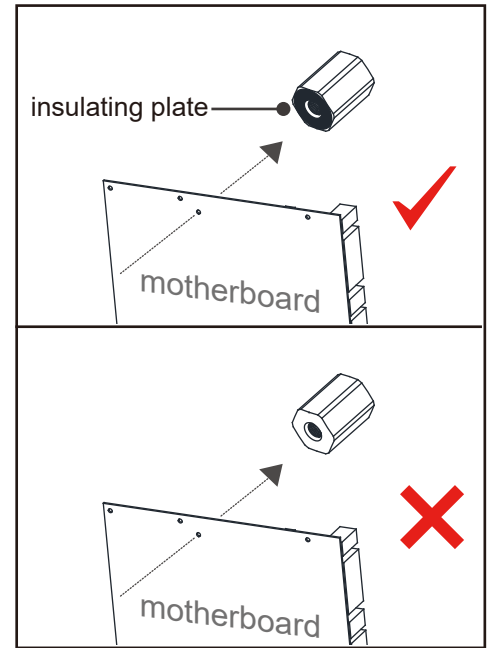
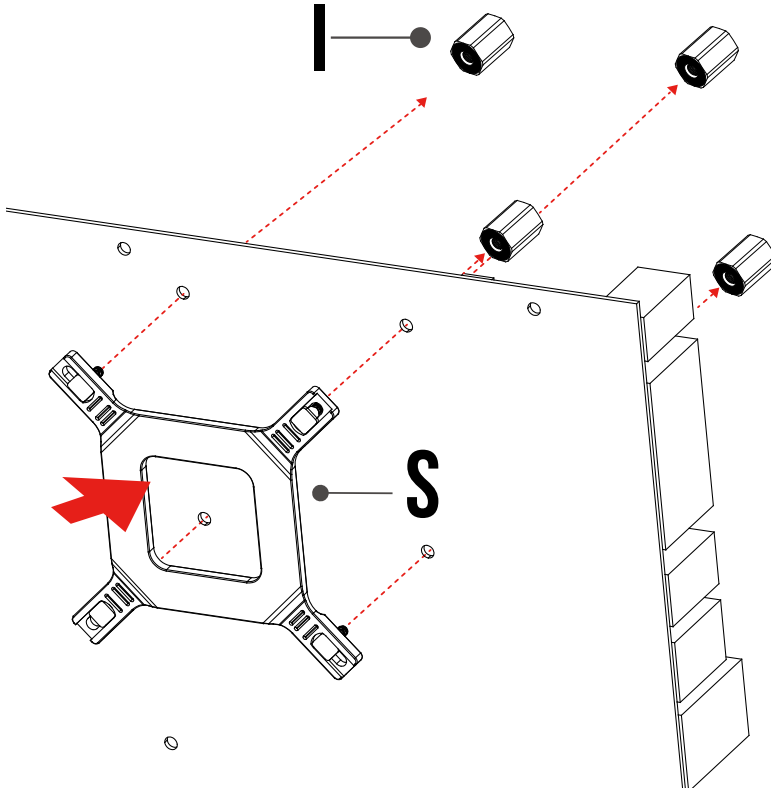


2



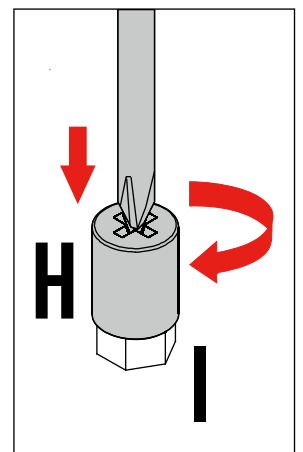
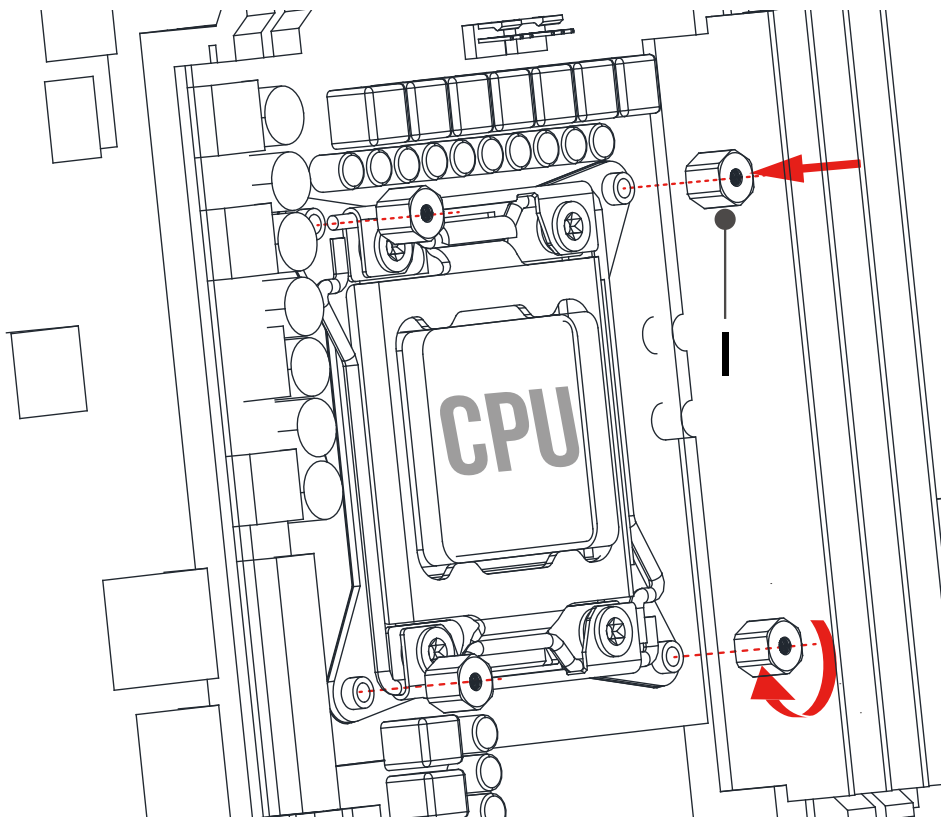
INTEL (LGA 1366/115X/1200)

3



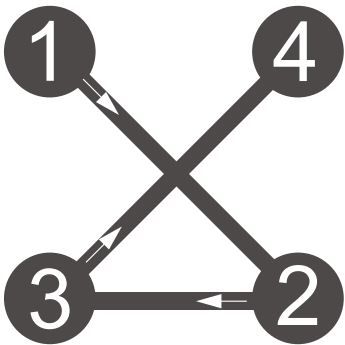
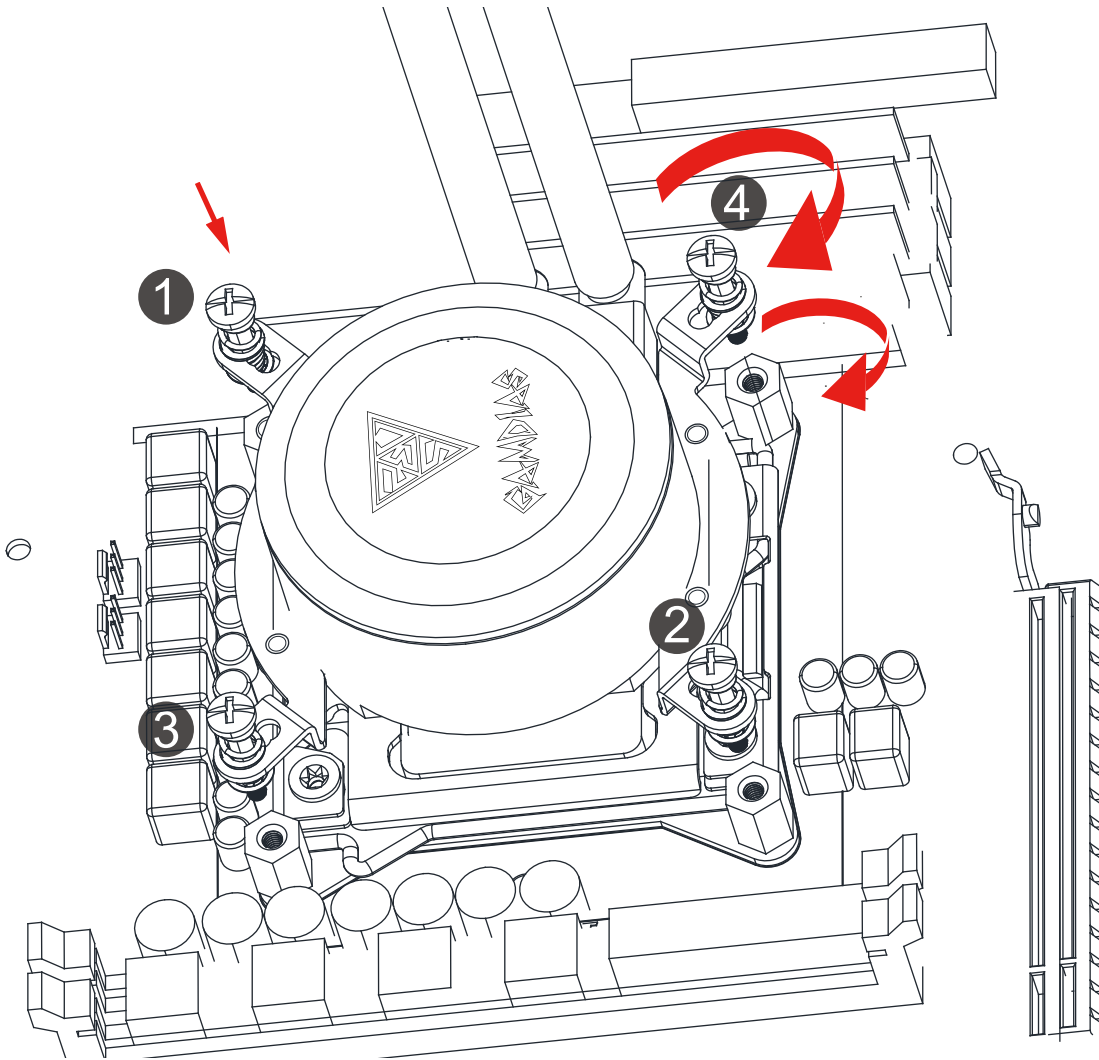
! The insulating plate should face with motherboard

4

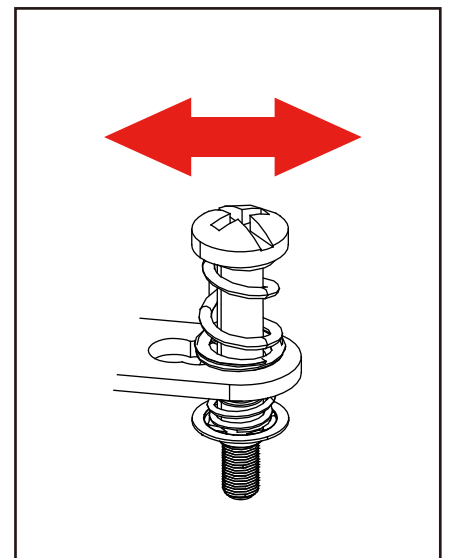


INTEL (LGA 1366/115X/1200)

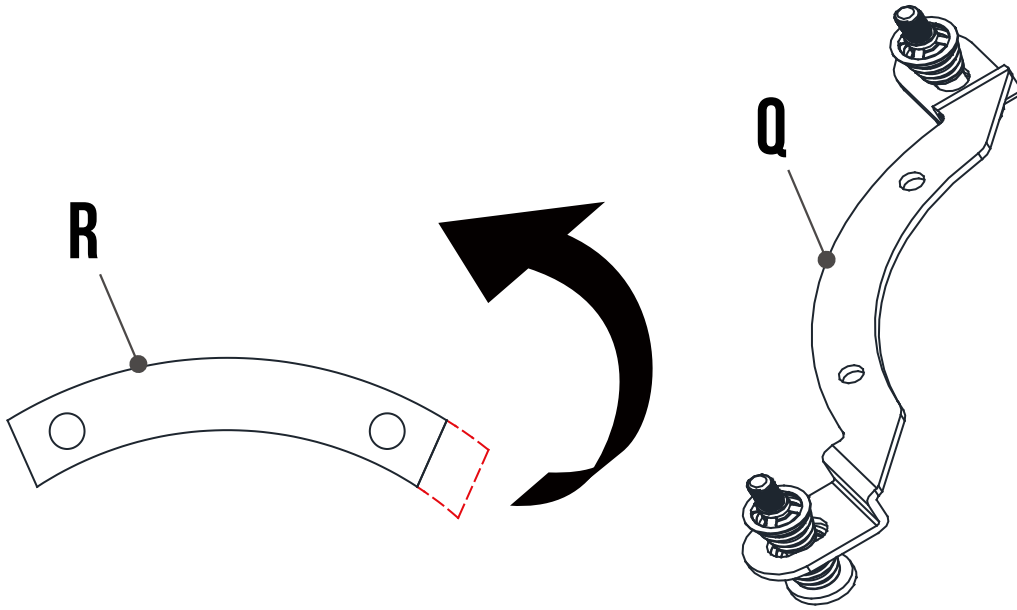
5



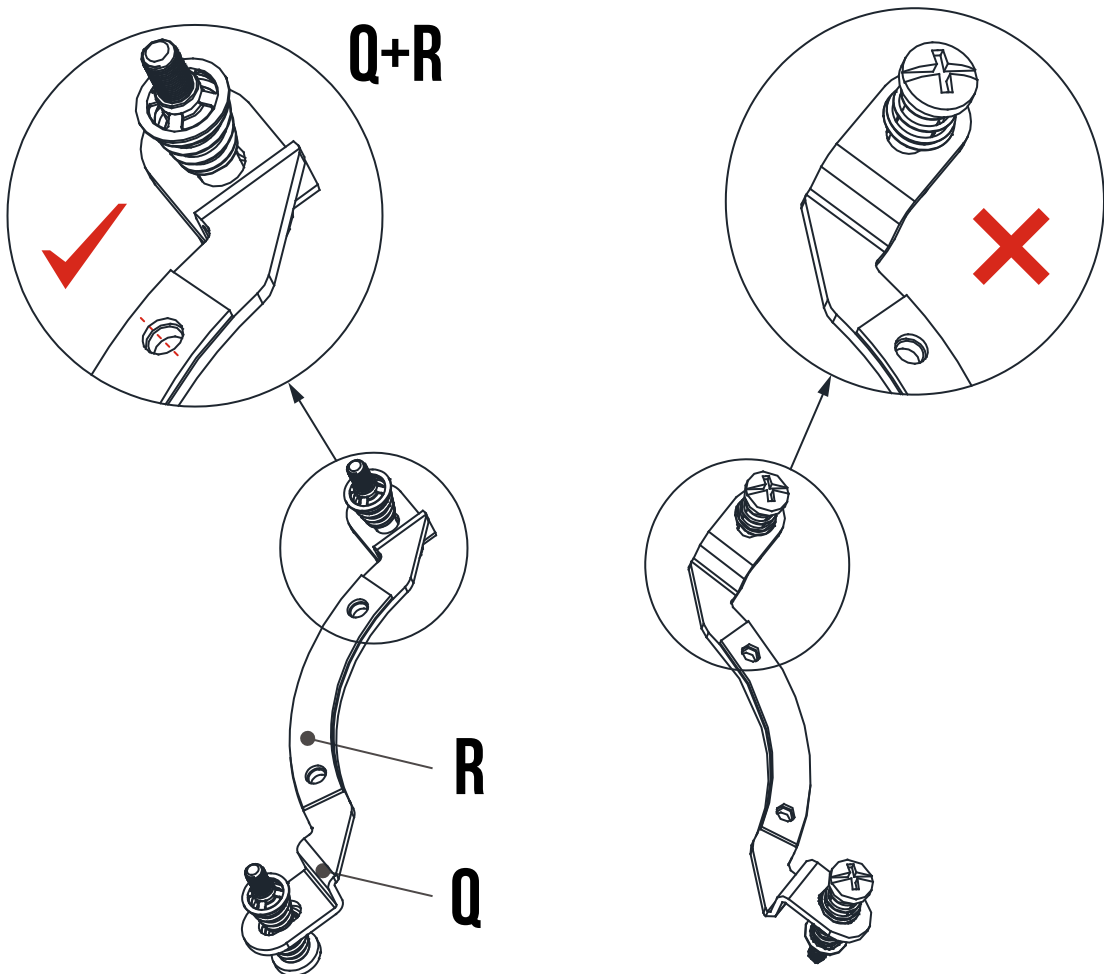
Please tighten the screws in a diagonal sequence to spread the tension properly.



1

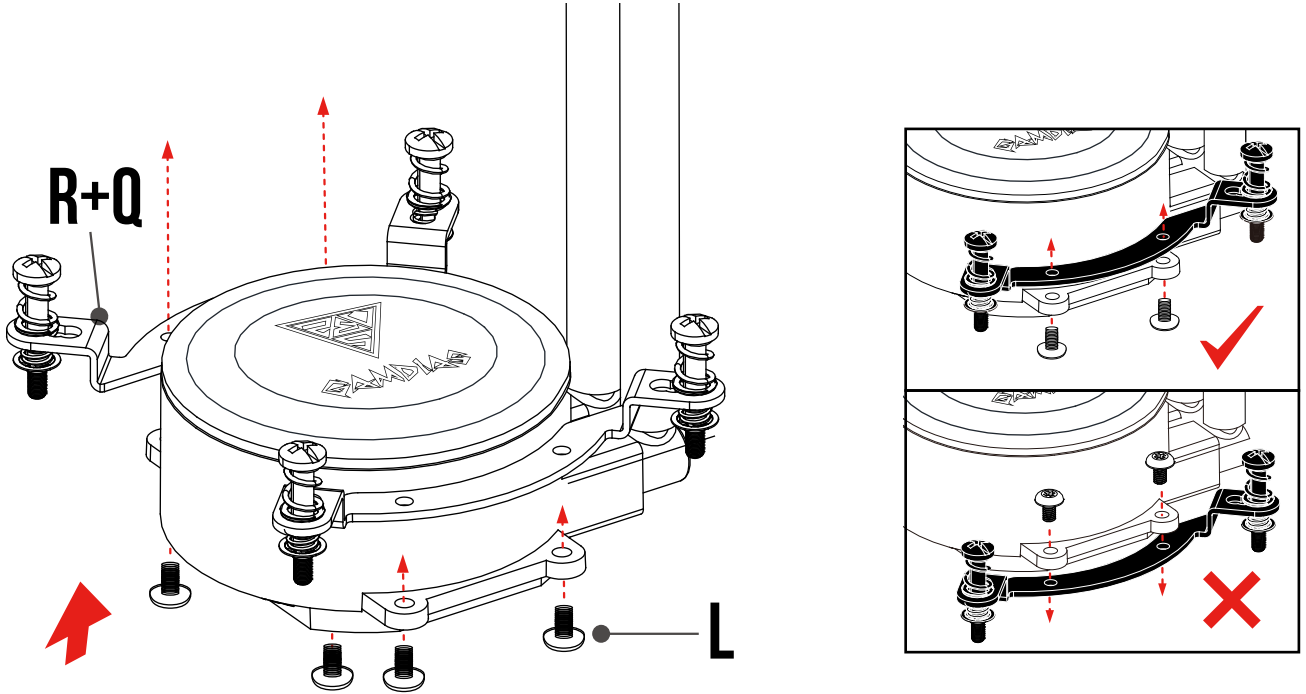


2

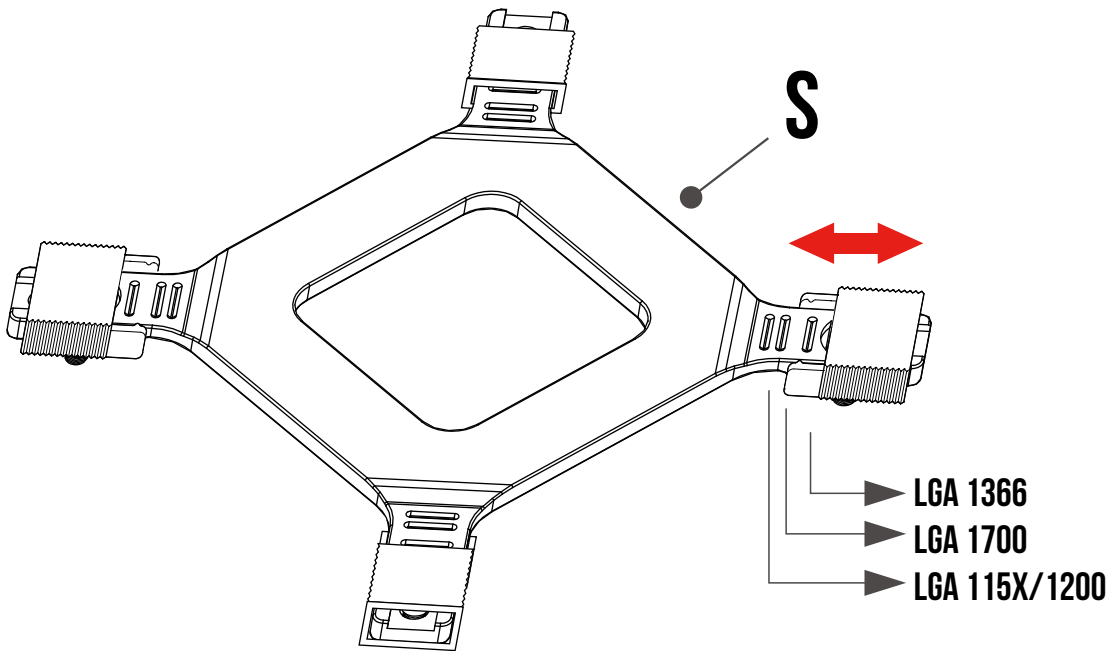


INTEL (LGA1700)

3

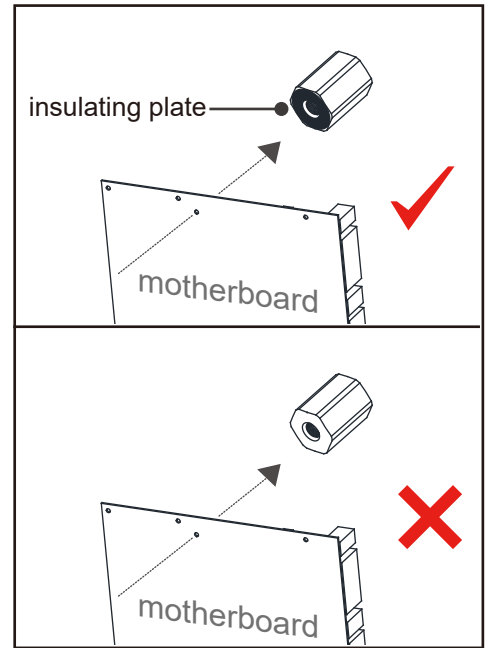
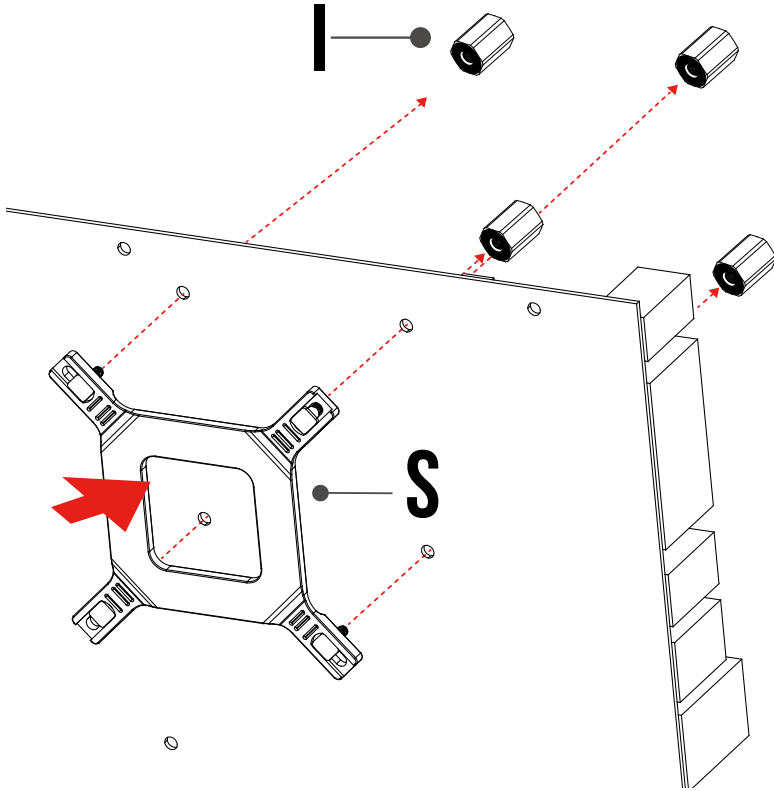


4



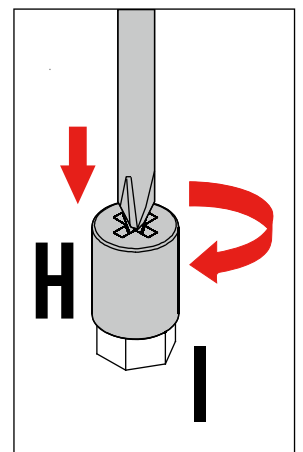
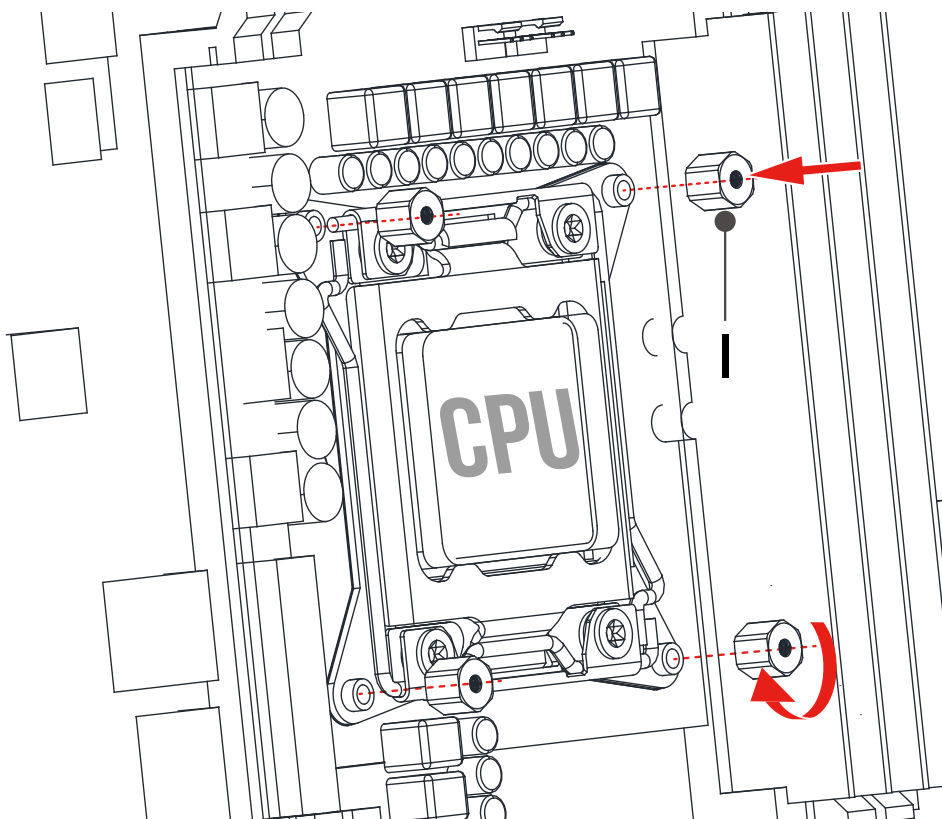
INTEL (LGA1700)

5

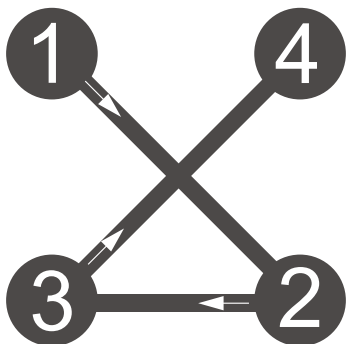
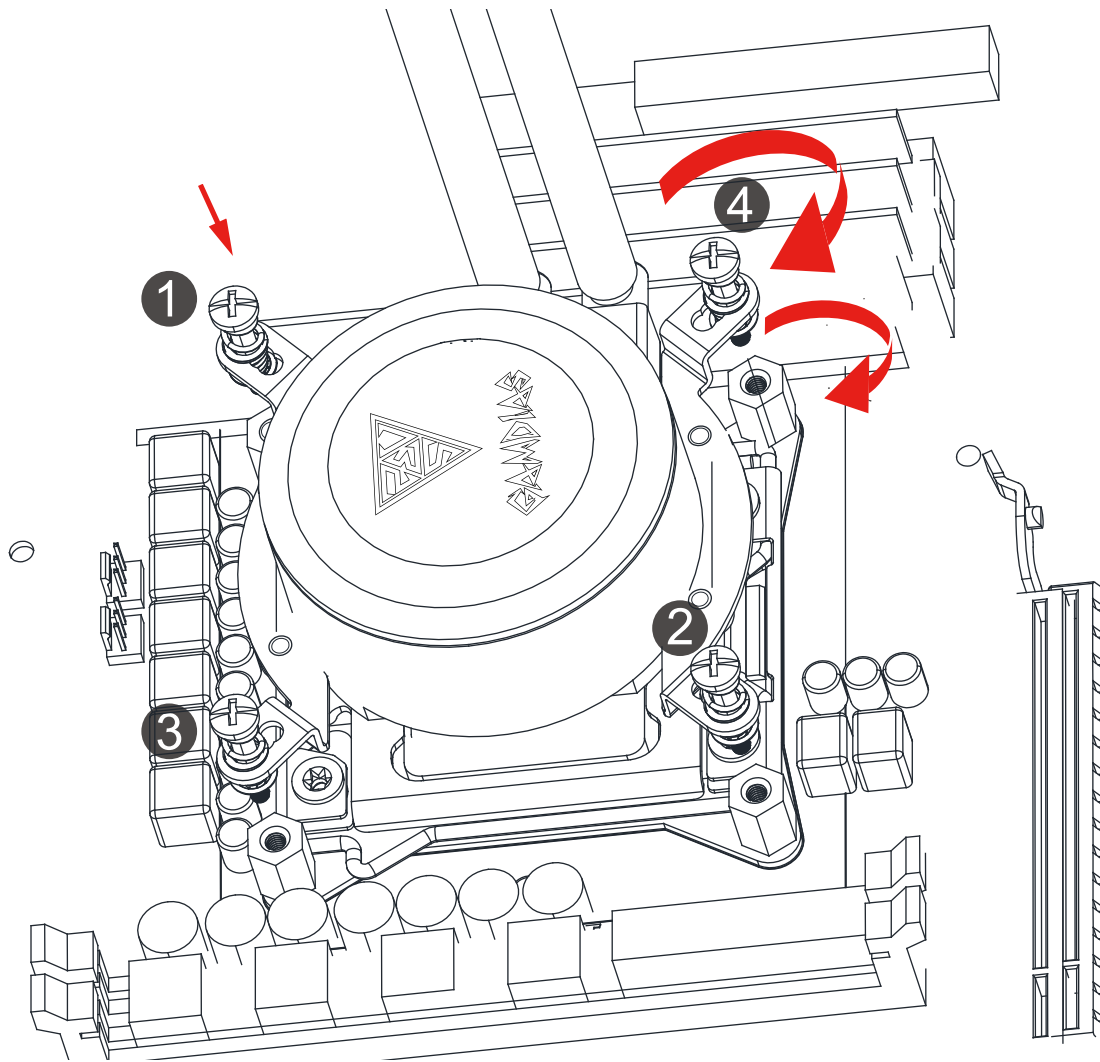


! The insulating plate should face with motherboard

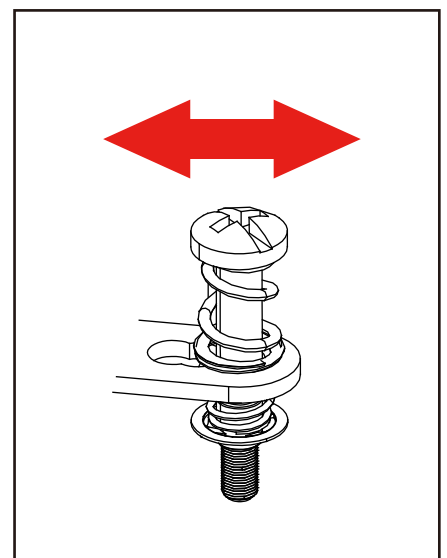
6



7

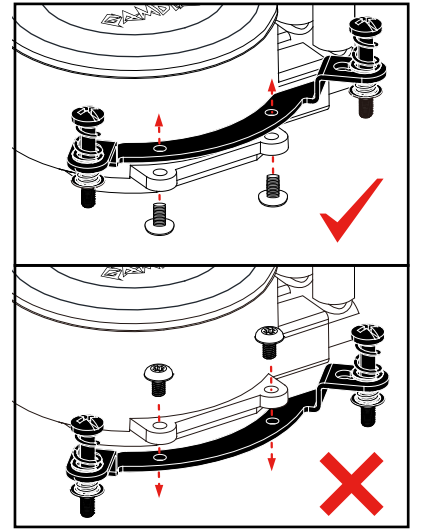
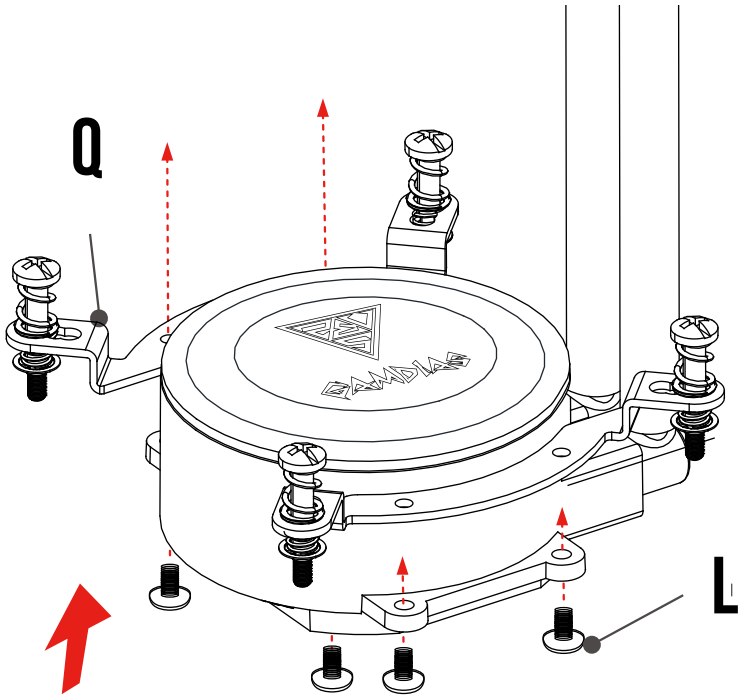


Please tighten the screws in a diagonal sequence to spread the tension properly.

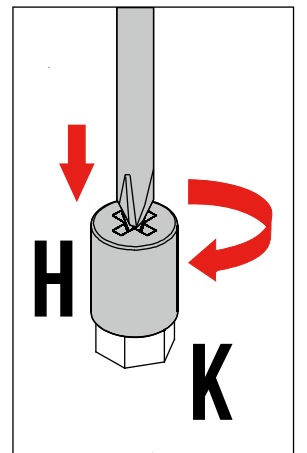
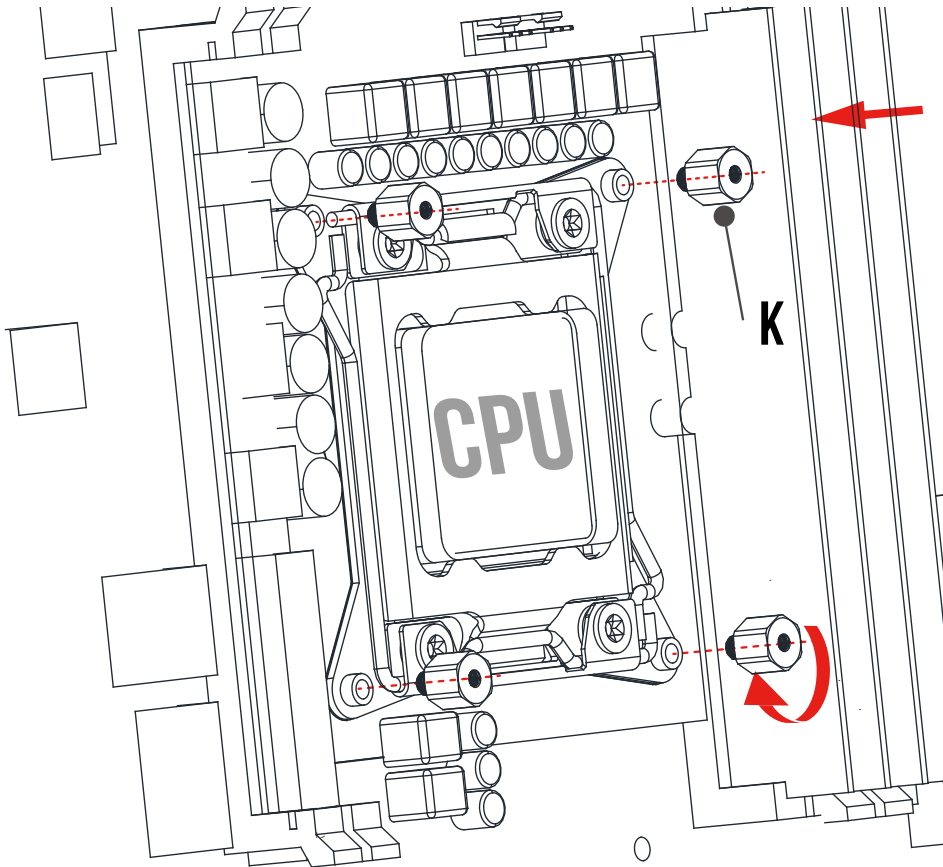


INTEL (LGA2066/2011/2011-3)

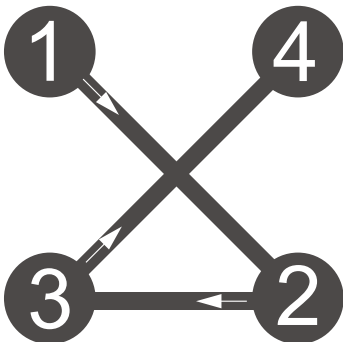
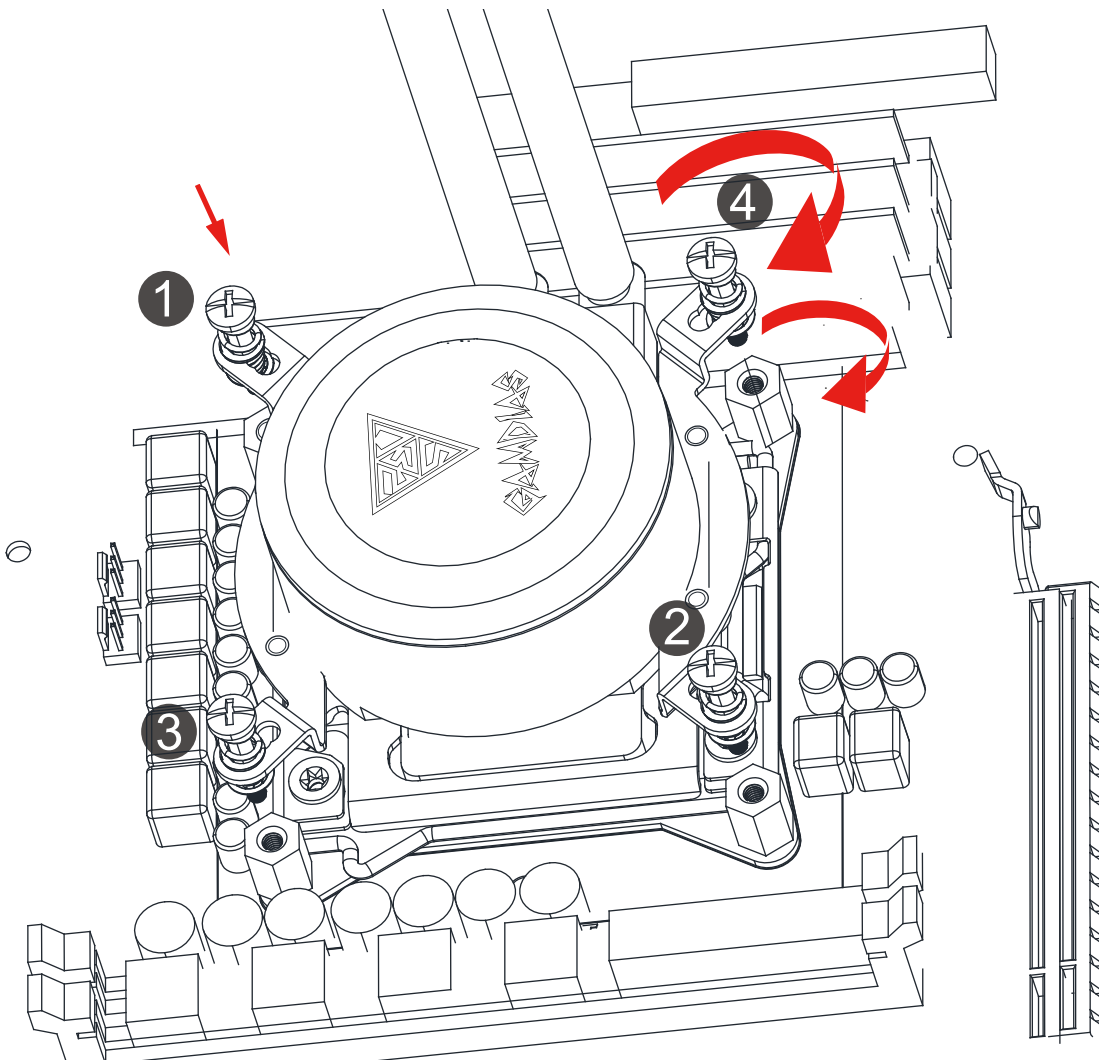
1



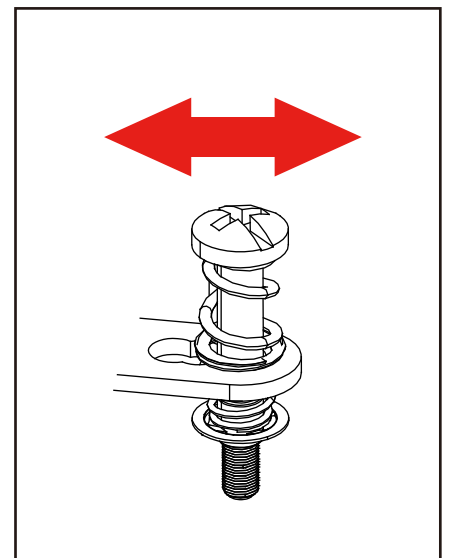
2



3

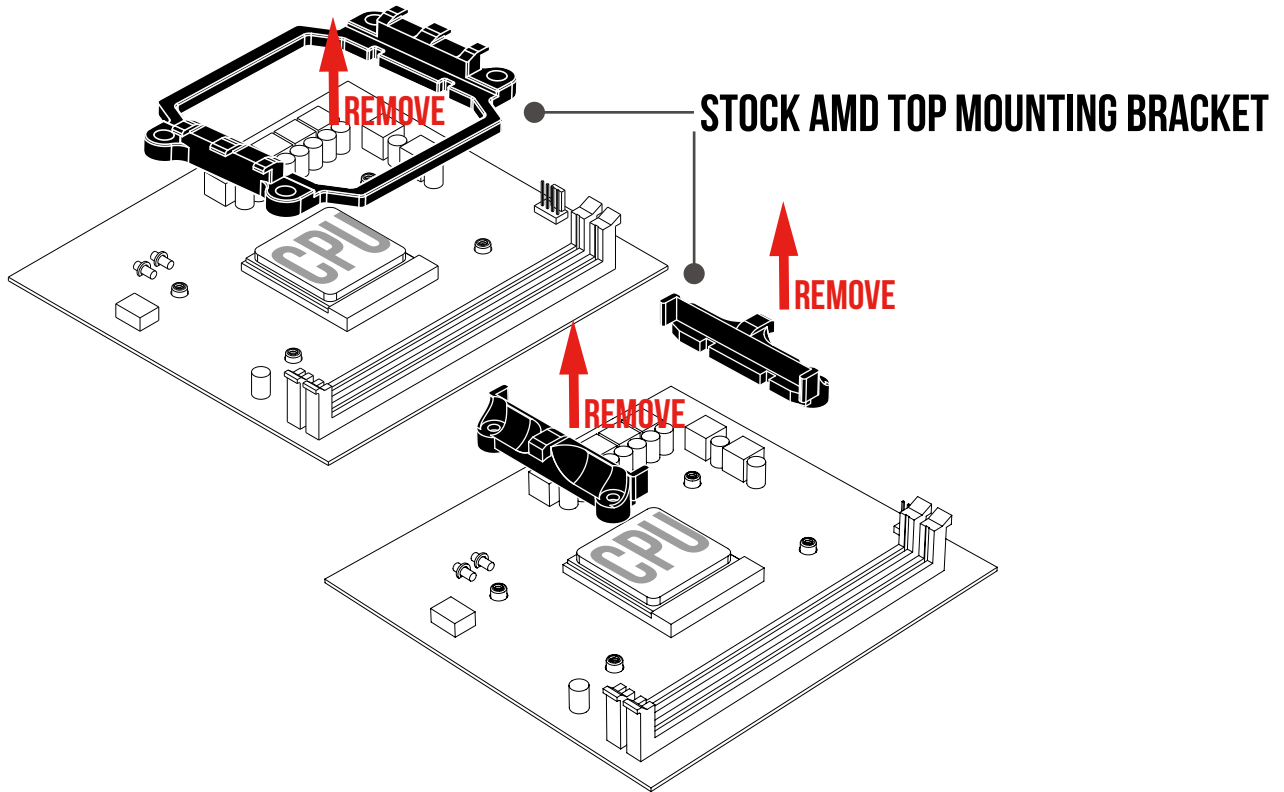


Please tighten the screws in a diagonal sequence to spread the tension properly.

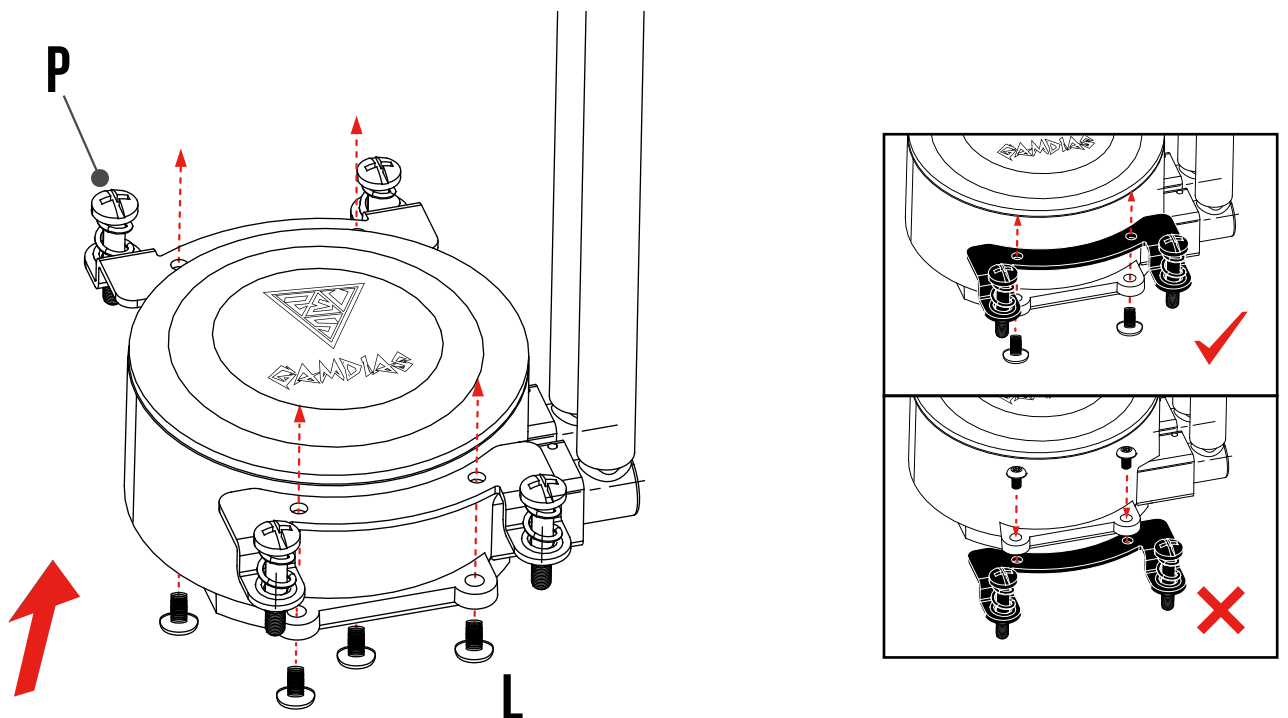


AMD (AM4/AM3+/AM3/AM2+/AM2/FM2+/FM2/FM1)

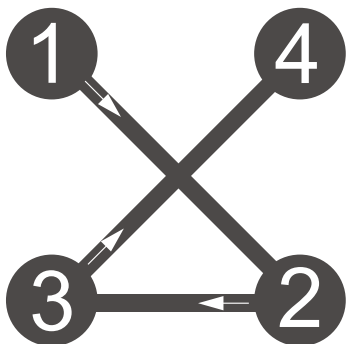
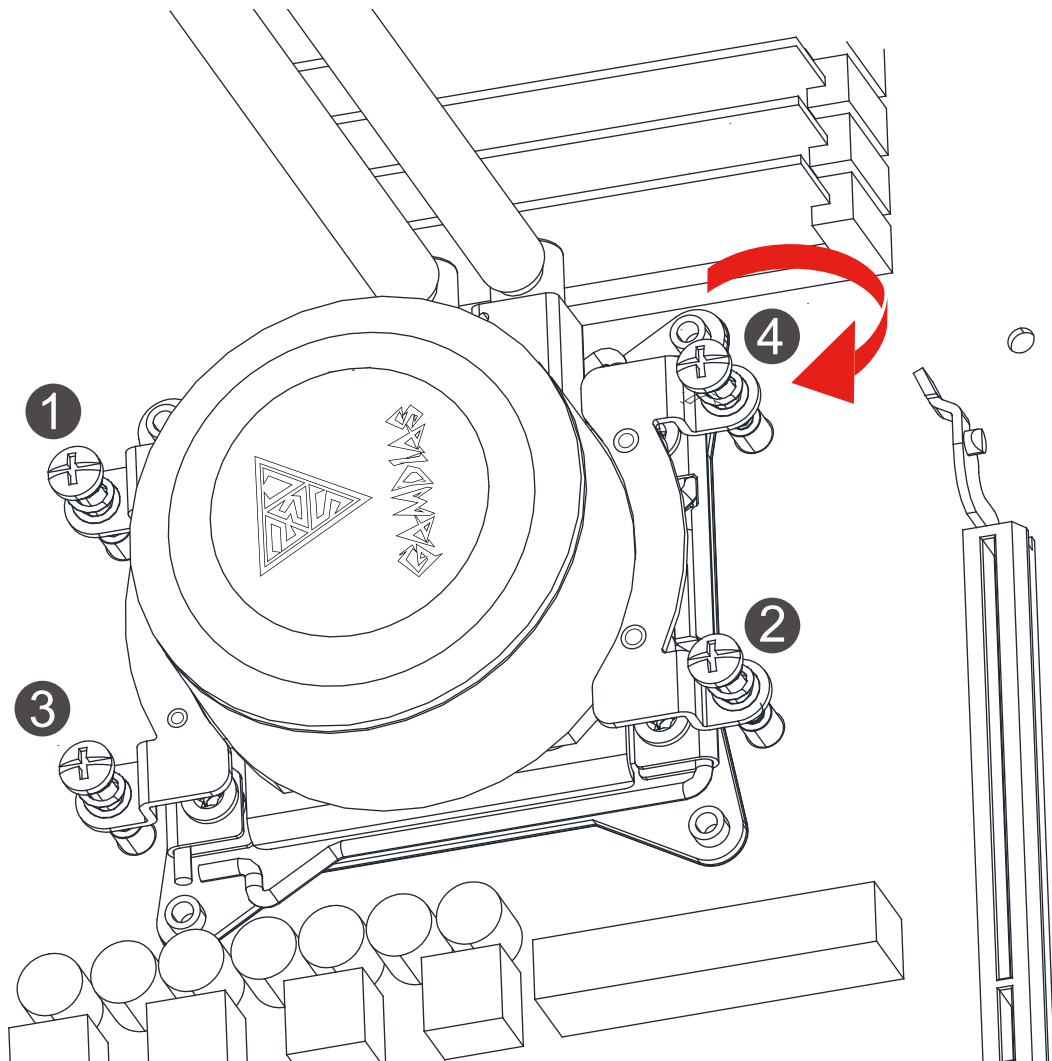
1



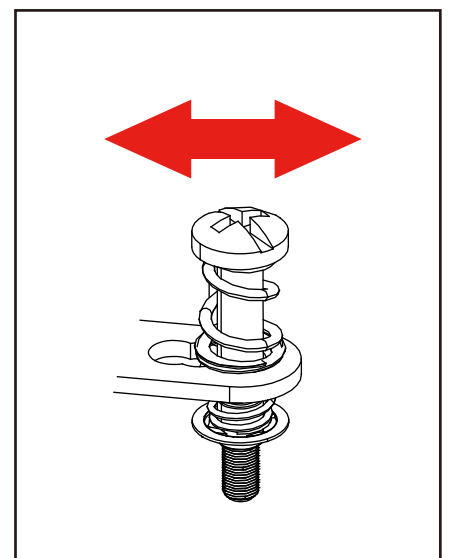
2



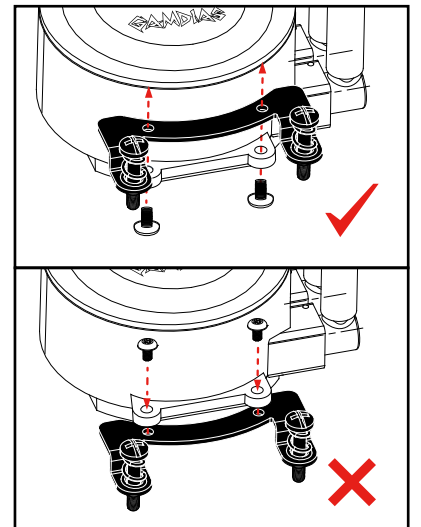
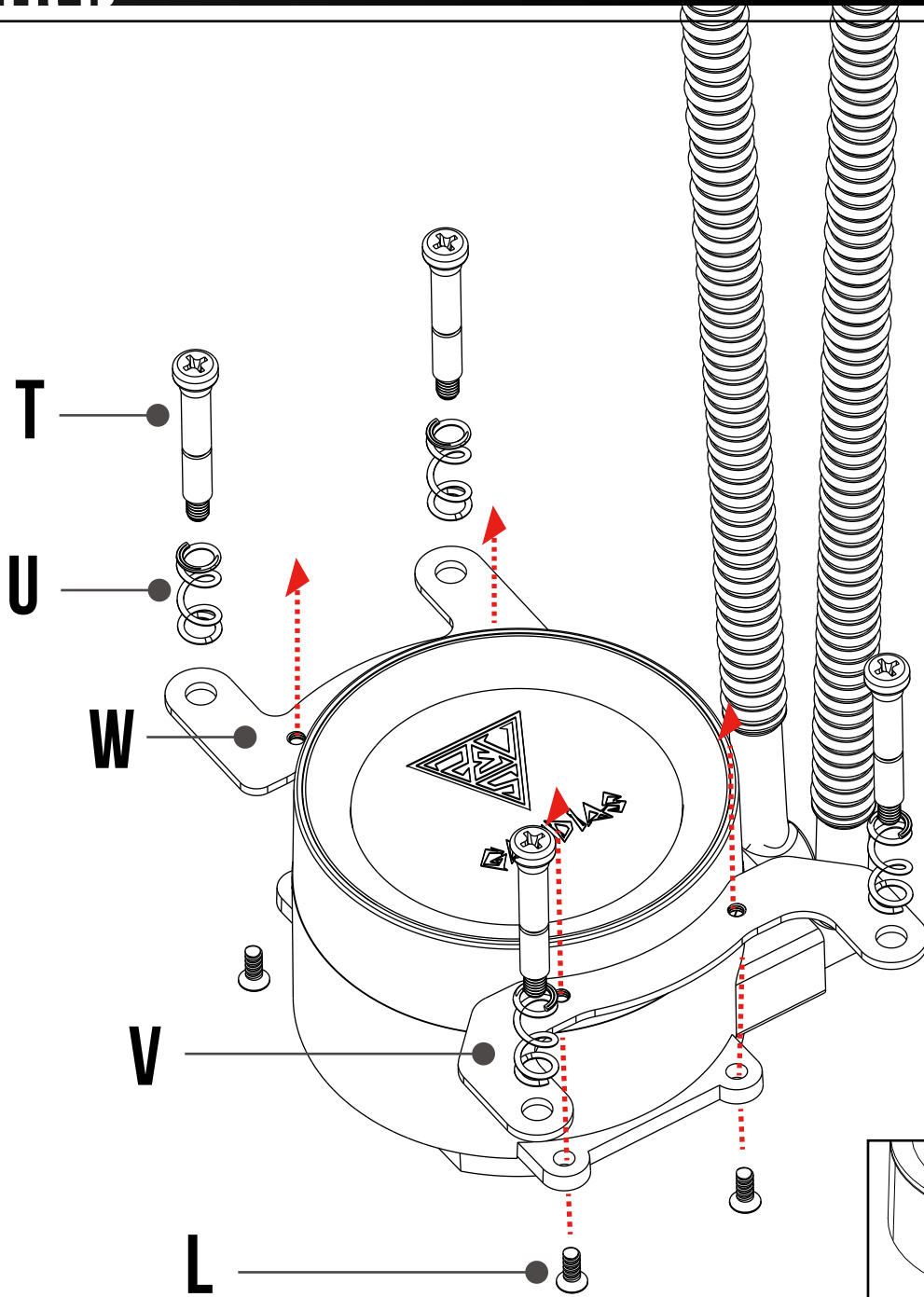
3



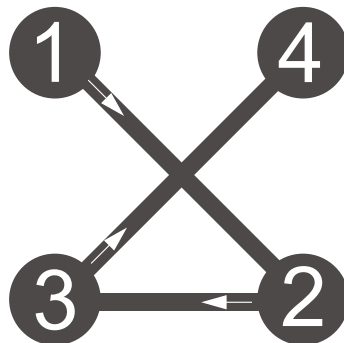
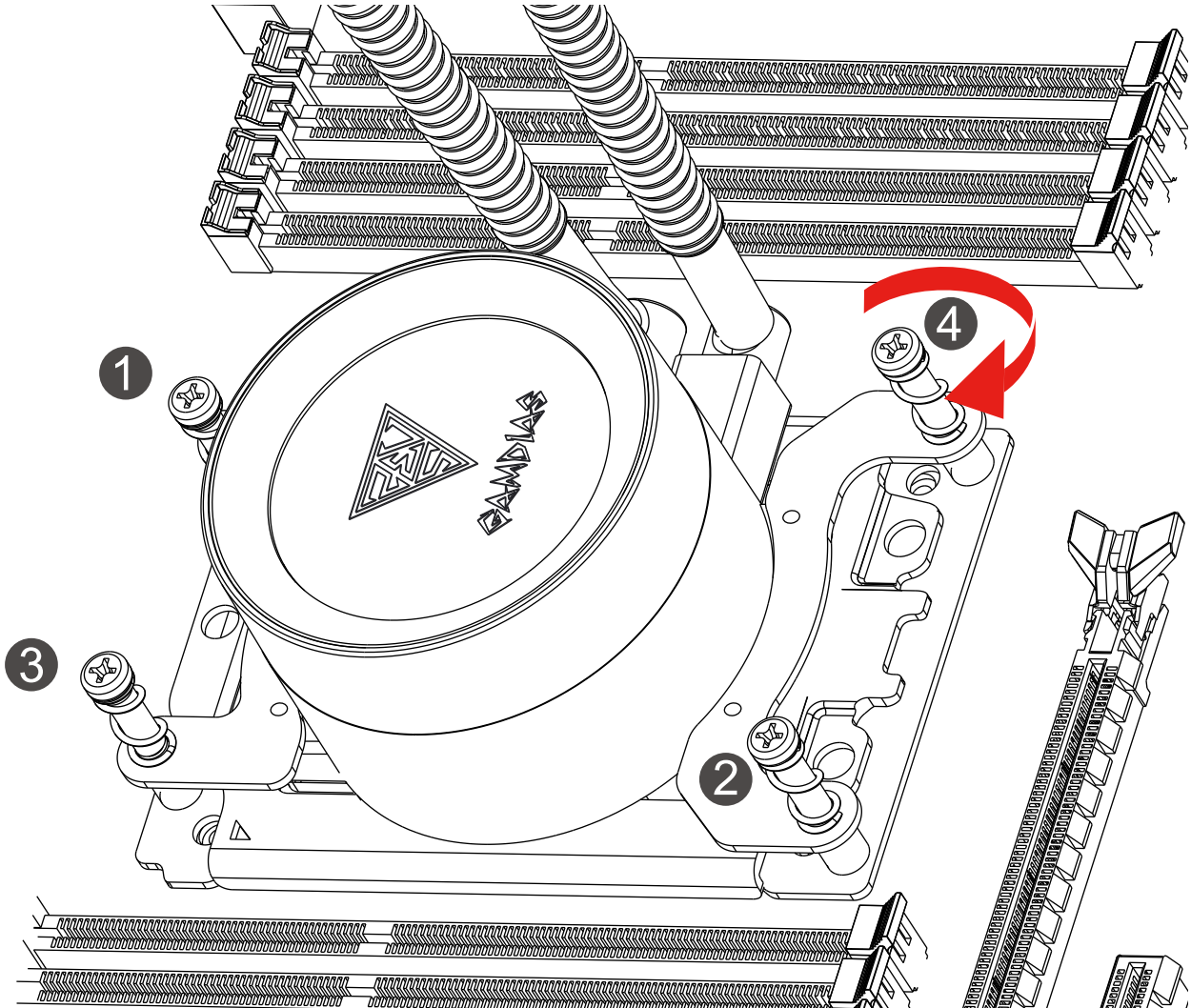
Please tighten the screws in a diagonal sequence to spread the tension properly.



1

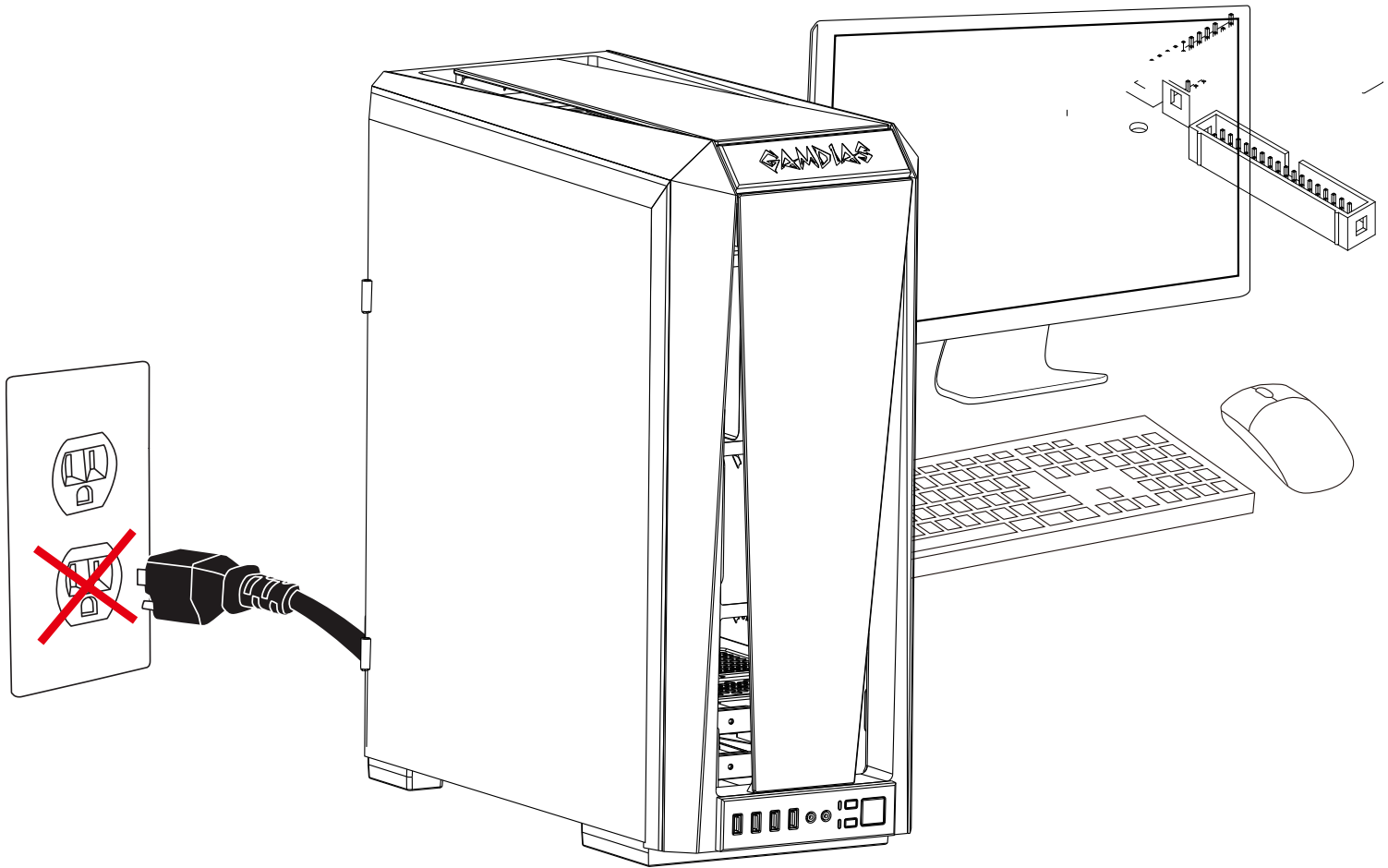


2

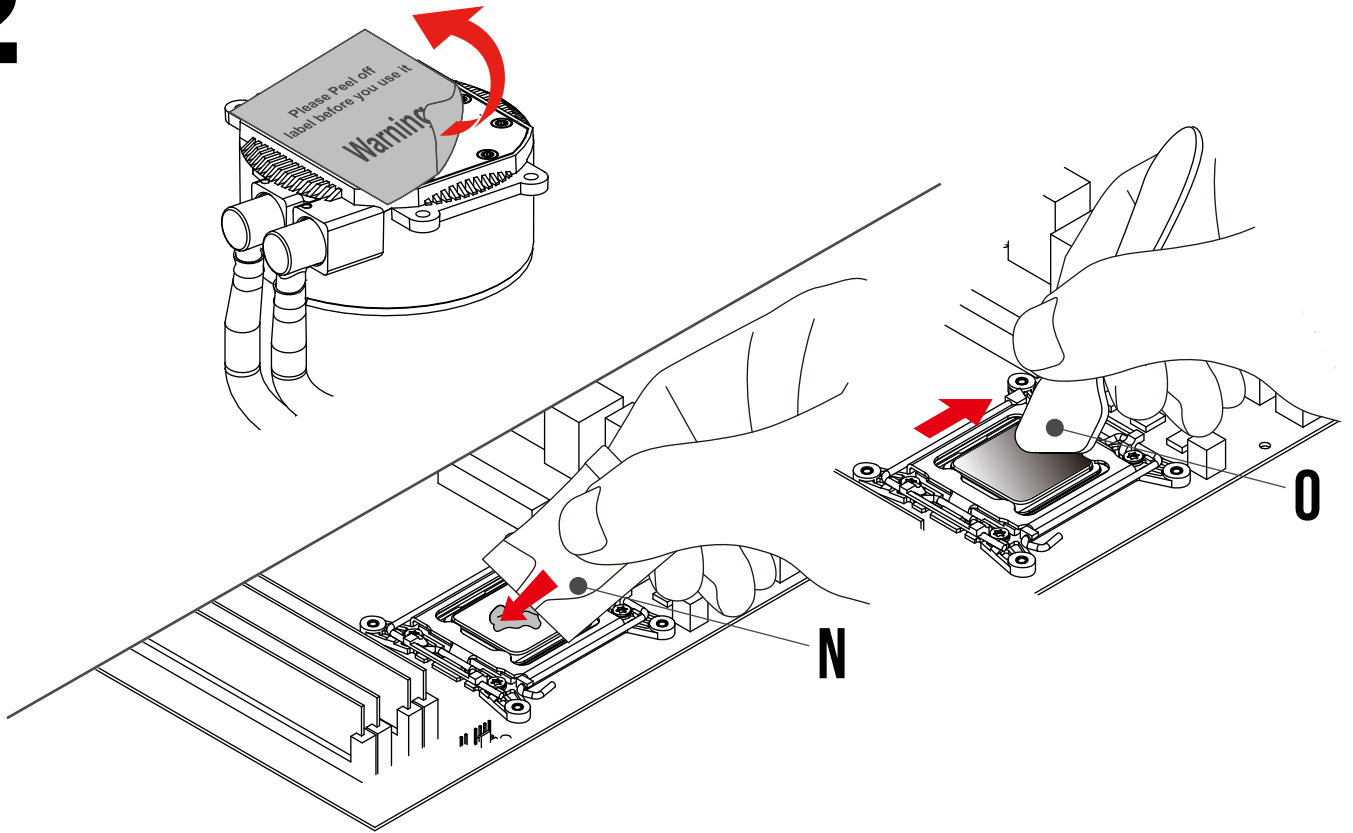


Please tighten the screws in a diagonal sequence to spread the tension properly.

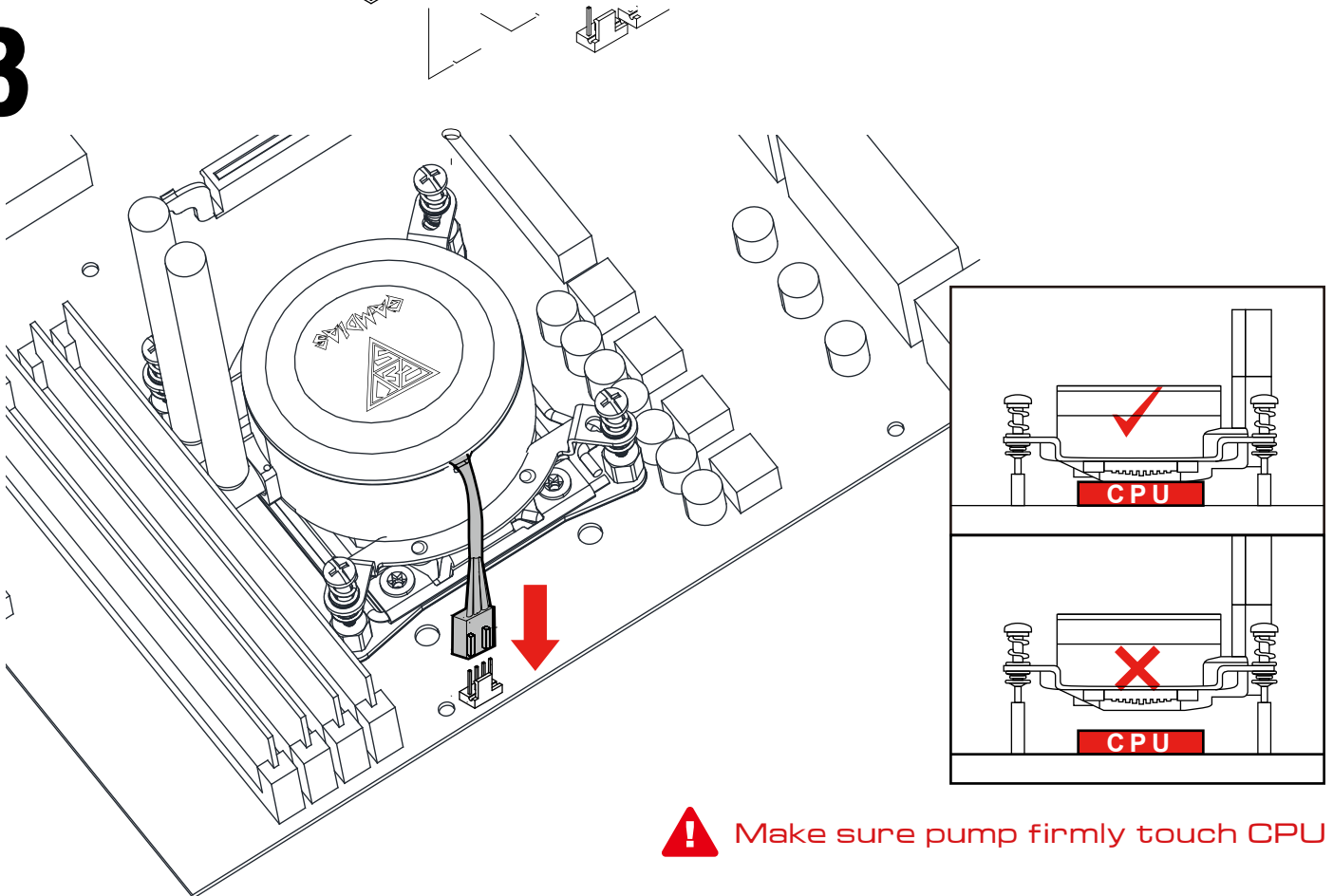
1 Turn off the computer before installing



2

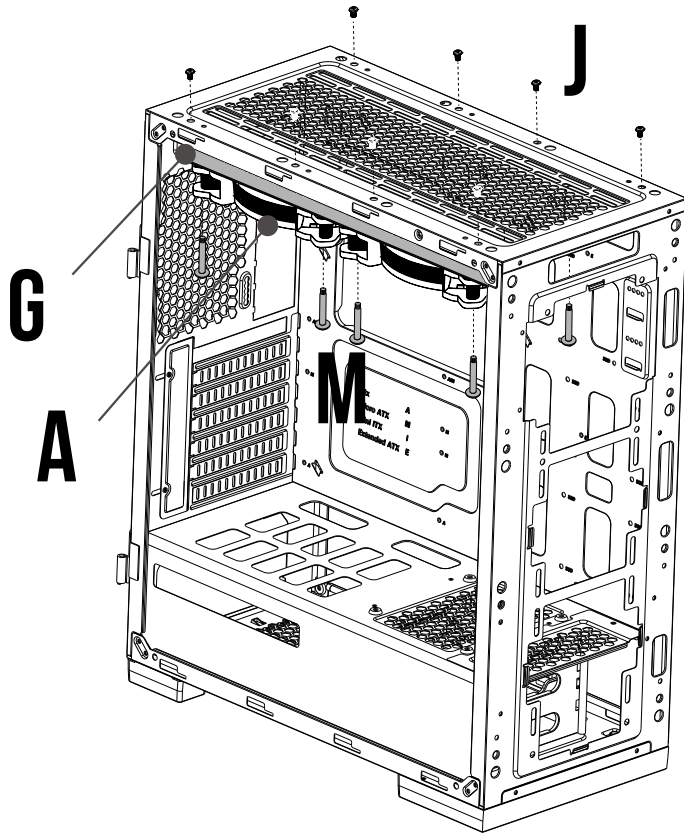


3

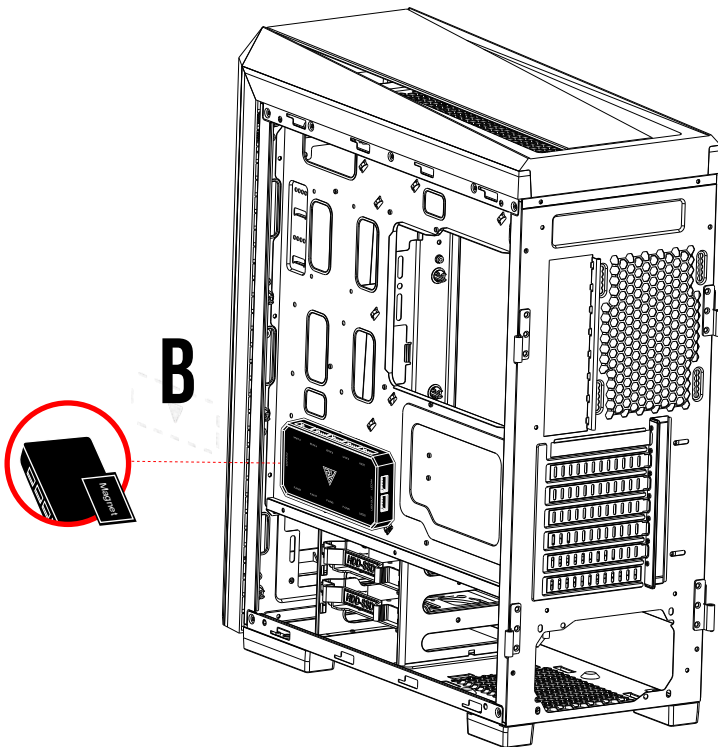


! Make sure pump firmly touch CPU

4

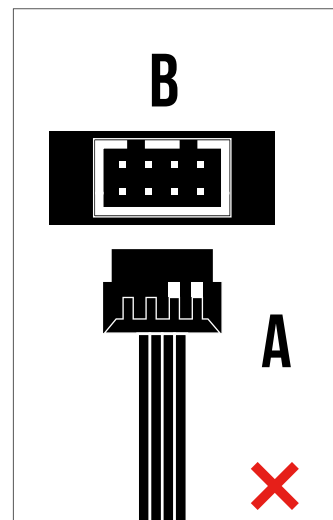
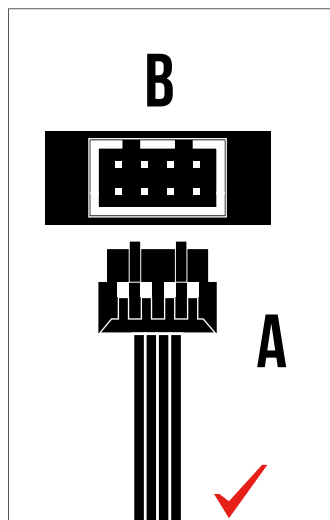
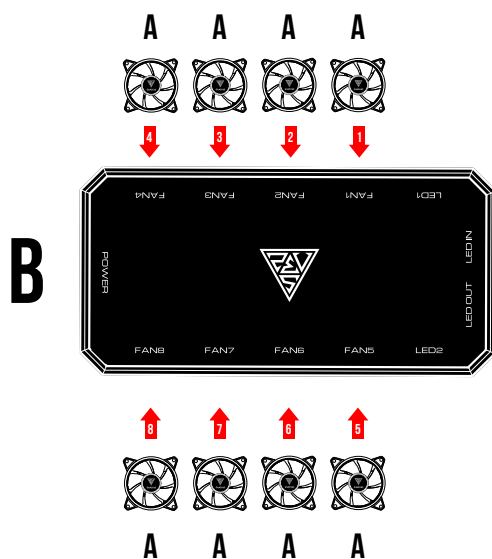


5



AEOLUS Box attaches to the computer case via magnet

6



Foolproof design

English

- ◆ Fans must start at "1" and continue in series. FAN1 → FAN2 → FAN3 → FAN4 → FAN5 → FAN6 → FAN7 → FAN8
- ◆ Any fan not connected in series will break communication and the RGB lighting function will not work.

Español

- ◆ Los ventiladores deben comenzar en "1" y continuar en serie. FAN1 → FAN2 → FAN3 → FAN4 → FAN5 → FAN6 → FAN7 → FAN8
- ◆ Cualquier ventilador no conectado en serie romperá la comunicación y no se activará la función de iluminación RGB

Deutsch

- ◆ Lüfter müssen bei „1“ beginnen und in Reihe fortgesetzt werden. FAN1 → FAN2 → FAN3 → FAN4 → FAN5 → FAN6 → FAN7 → FAN8
- ◆ Jeder nicht in Reihe geschaltete Lüfter unterbricht die Kommunikation und die RGB-Beleuchtung funktioniert nicht

Polski

- ◆ Wentylatory muszą uruchamiać się przy „1” i kontynuować działanie szeregowo. FAN1 → FAN2 → FAN3 → FAN4 → FAN5 → FAN6 → FAN7 → FAN8
- ◆ Wentylator, który nie jest podłączony szeregowo przerwie komunikację i funkcja oświetlenia RGB nie będzie działać

Français

- ◆ Les ventilateurs doivent commencer à "1" et continuer en série. FAN1 → FAN2 → FAN3 → FAN4 → FAN5 → FAN6 → FAN7 → FAN8
- ◆ Les ventilateurs non connectés en série rompent la communication et empêchant le fonctionnement de l'éclairage RVB

Svensk

- ◆ Fläktar måste starta på "1" och fortsätta i serie. FAN1 → FAN2 → FAN3 → FAN4 → FAN5 → FAN6 → FAN7 → FAN8
- ◆ Fläktar som inte ansluts i serie kommer att bryta kommunikationen och RGB-belysningsfunktionen kommer inte att fungera

Italiano

- ◆ Le ventole devono partire da "1" e continuare in serie. FAN1 → FAN2 → FAN3 → FAN4 → FAN5 → FAN6 → FAN7 → FAN8
- ◆ Qualsiasi ventola non collegata in serie interrompe la comunicazione e la funzione di illuminazione RGB non funziona

Português

- ◆ As ventoinhas devem começar em "1" e continuar em série. FAN1 → FAN2 → FAN3 → FAN4 → FAN5 → FAN6 → FAN7 → FAN8
- ◆ Qualquer ventoinha não conectada em série interromperá a comunicação e a função de iluminação RGB não funcionará

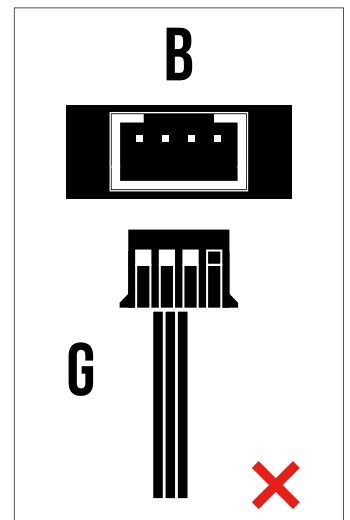
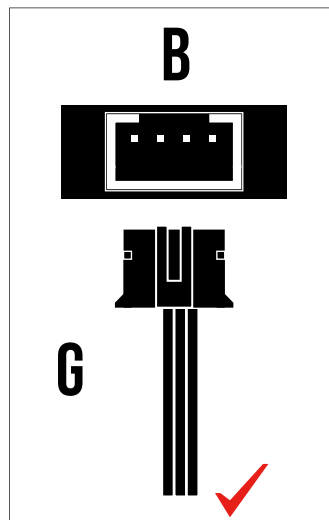
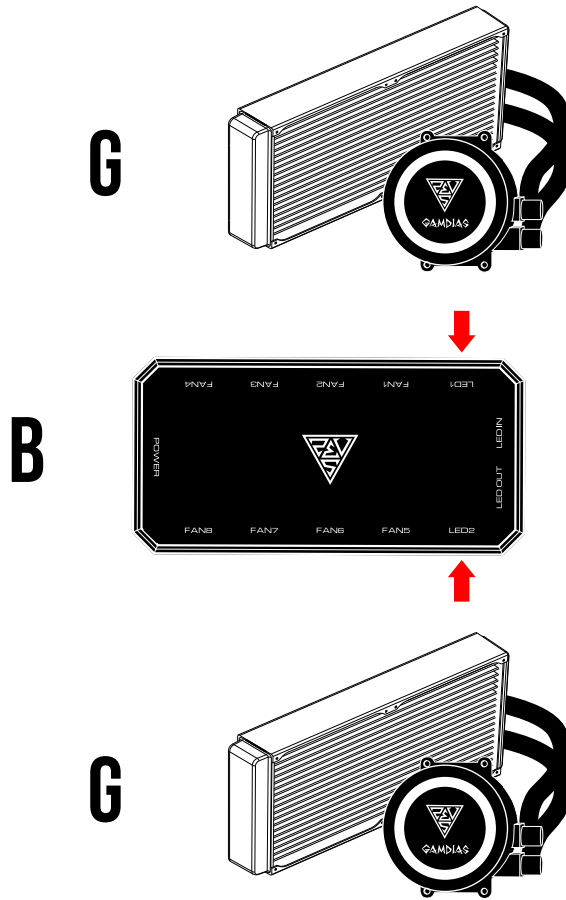
Русский

- ◆ Вентиляторы запускаются с «1» и далее по порядку. FAN1 → FAN2 → FAN3 → FAN4 → FAN5 → FAN6 → FAN7 → FAN8
- ◆ Если какой-либо из вентиляторов не подключен последовательно, связь прерывается, и функция подсветки RGB не работает

العَرَبِيَّة

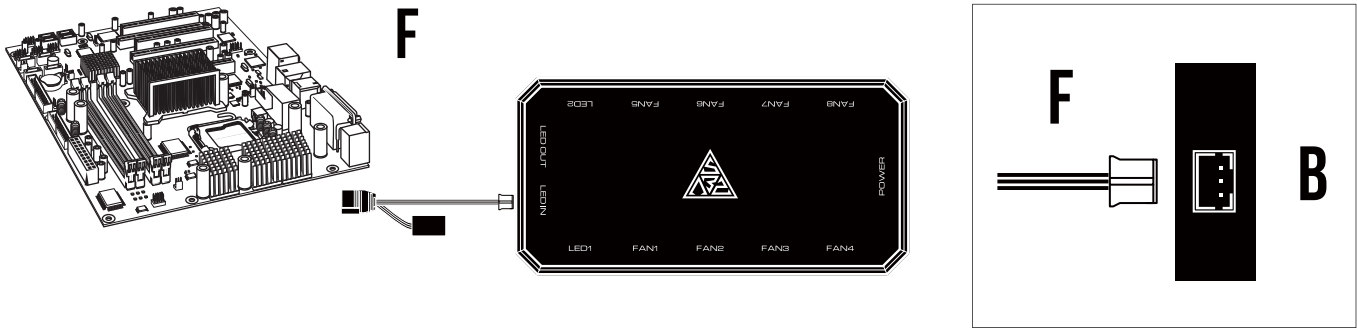
- ◆ يجب أن تبدأ المراوح من "1" وتستمر على التوالي. FAN8 ← FAN7 ← FAN6 ← FAN5 ← FAN4 ← FAN3 ← FAN2 ← FAN1 →
- ◆ إذا لم يتم توصيل أي مروحة على التوالي، فسيتم قطع الاتصال ولن تعمل وظيفة إضاءة RGB

7

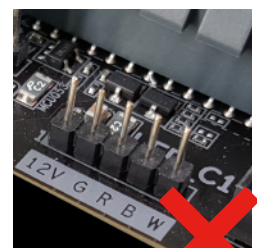
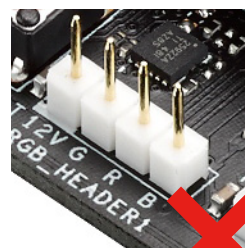
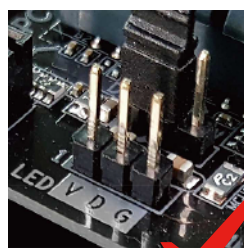


 Foolproof design

8 If your motherboard has 5V 3-Pin addressable (digital) RGB header, you can customize RGB lighting via motherboard manufacture sync software



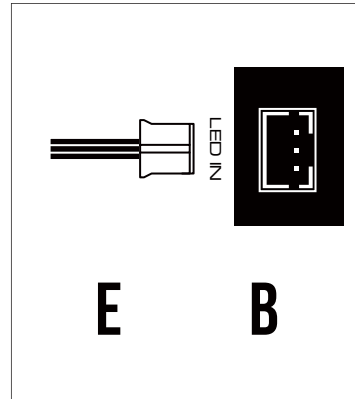
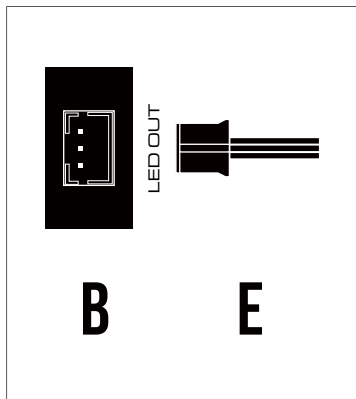
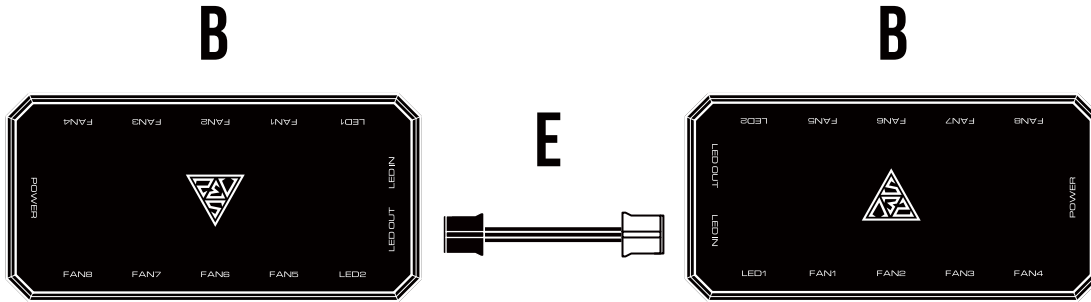
F						
ADD_HEADER	JRAINBOW	ADDR_LED	5V_LED	V D G	V D G	V D G



CHIONE M2-240R only support 5V addressable (digital) RGB header

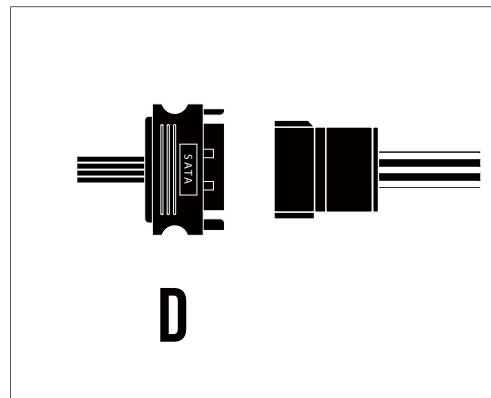
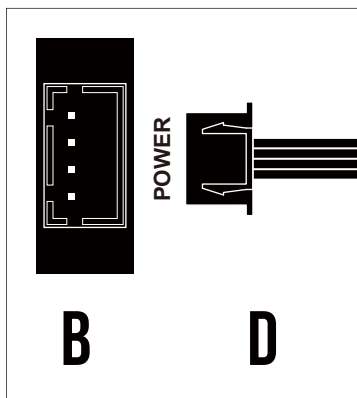
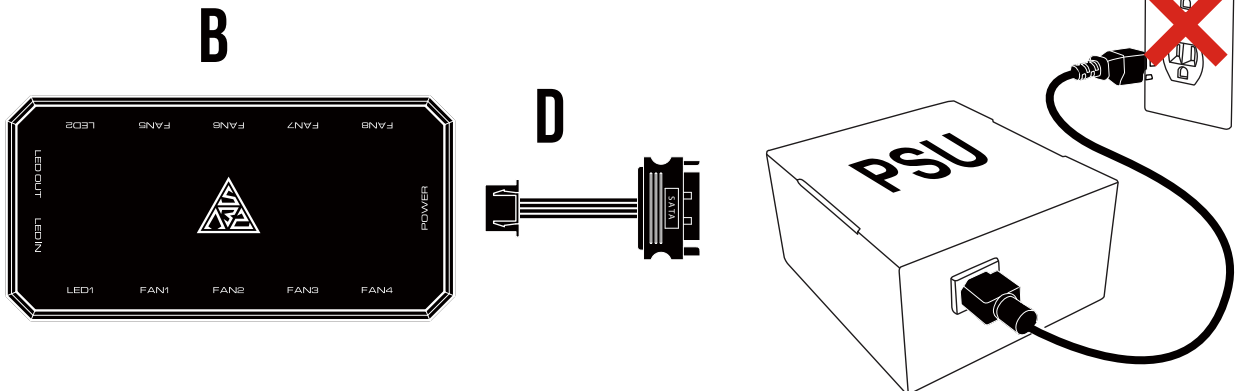
9

Daisy chain another AEOLUS Box for more lighting effects



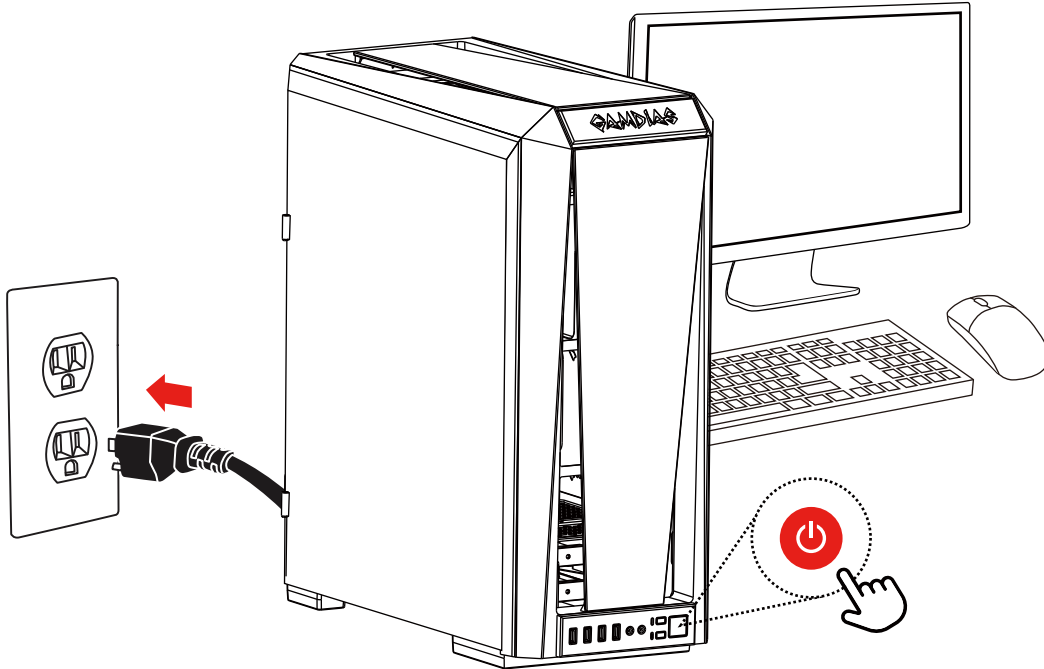
⚠ Notice foolproof design

10



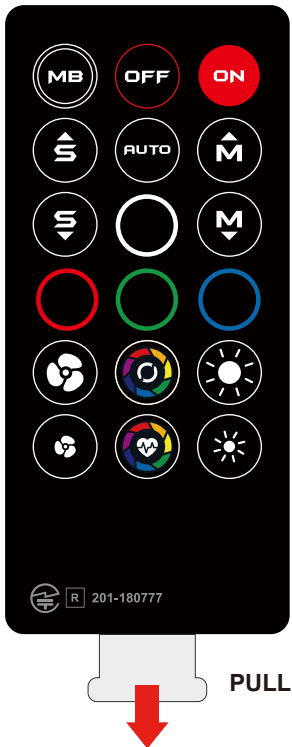
11









Turn on the computer after installing

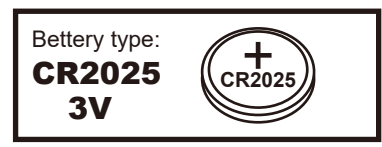
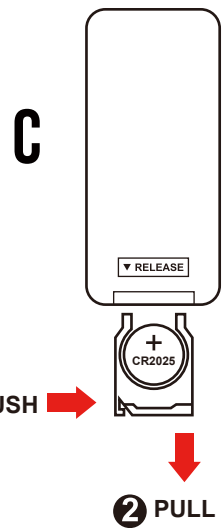


12

How to change the Battery



-  Turn On Remote Controller
-  Turn Off Remote Controller
-  Motherboard Sync
-  Mode
-  Light Speed
-  Fan Speed
-  Brightness
-  Lighting Effect



* When press "OFF" button, the remote controller will be automatically disabled. Please press "ON" button to activate.
 * Press "MB" button to switch to motherboard sync mode.



GAMDIAS

GAMING ART IN MOTION