

ATLAS P2 CG

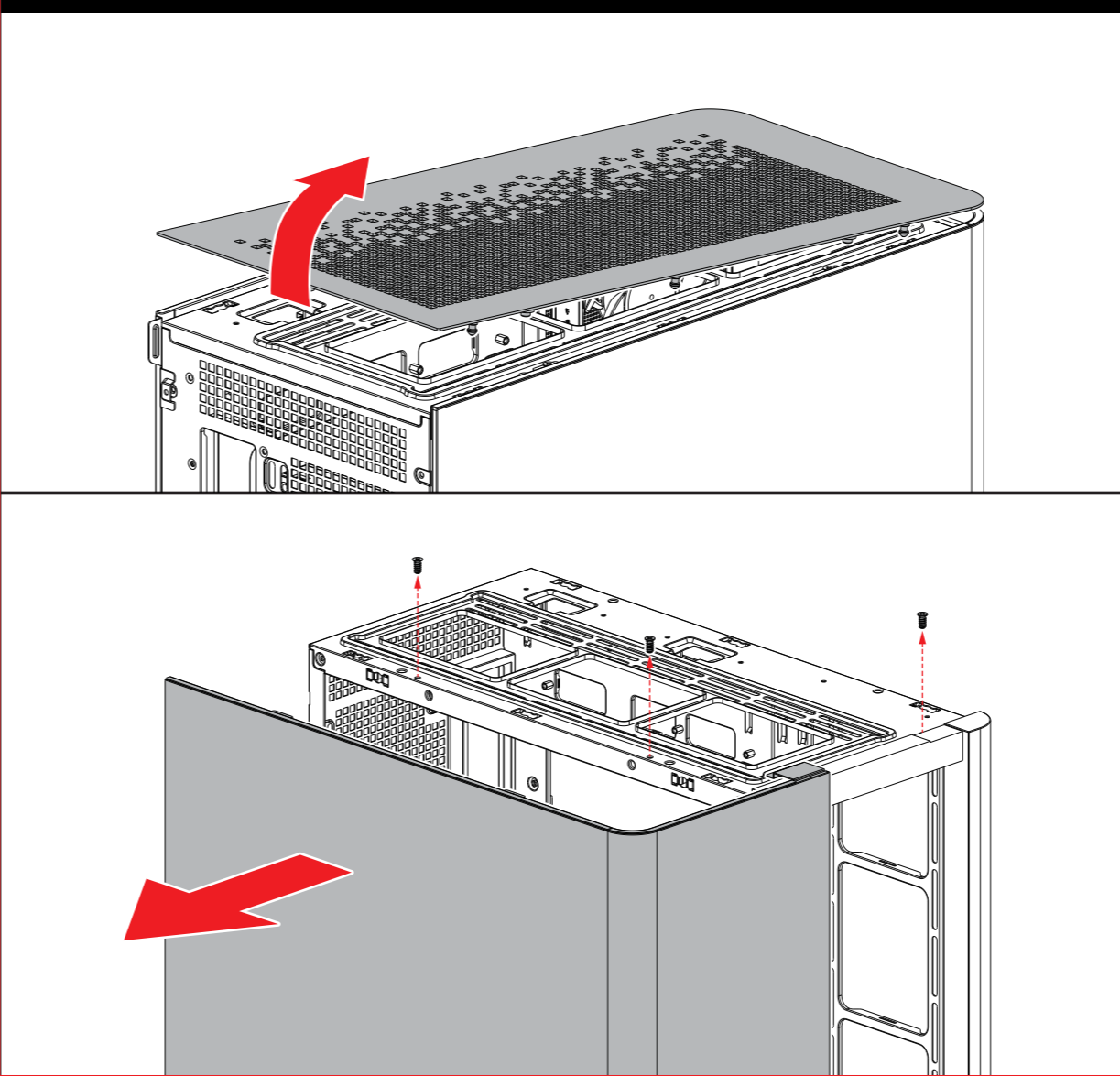
MID-Tower PC Case



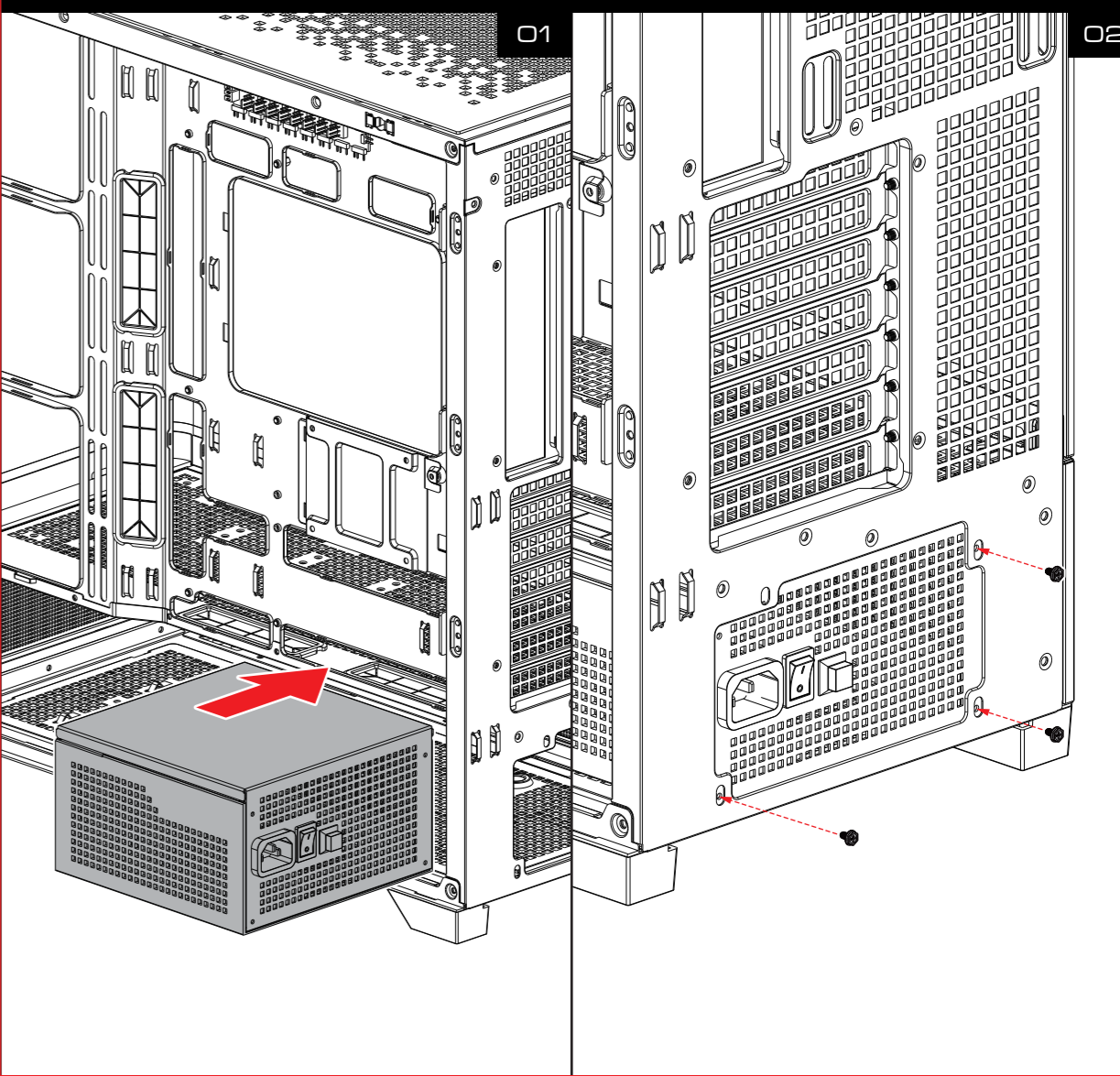
▼ Package Contents

1. Gaming Case : ATLAS P2 CG
2. Chassis Protection : EPS Protection Foam
3. Chassis Dust Cover
4. Preinstalled Fans : Side: 3 x 120mm NOTUS Fans Rear: 1 x 120mm NOTUS Fans
6. Accessory Box :
 - A. Motherboard/ SSD screws (22)
 - B. Motherboard additional standoffs (3)
 - C. PSU/ GPU PCIe screws (6)
 - D. HDD cage screws (9)
 - E. Fan screws (12)
 - F. Sleeve screw (1)
 - G. Zip ties (5)
 - H. Card Buckle (2)

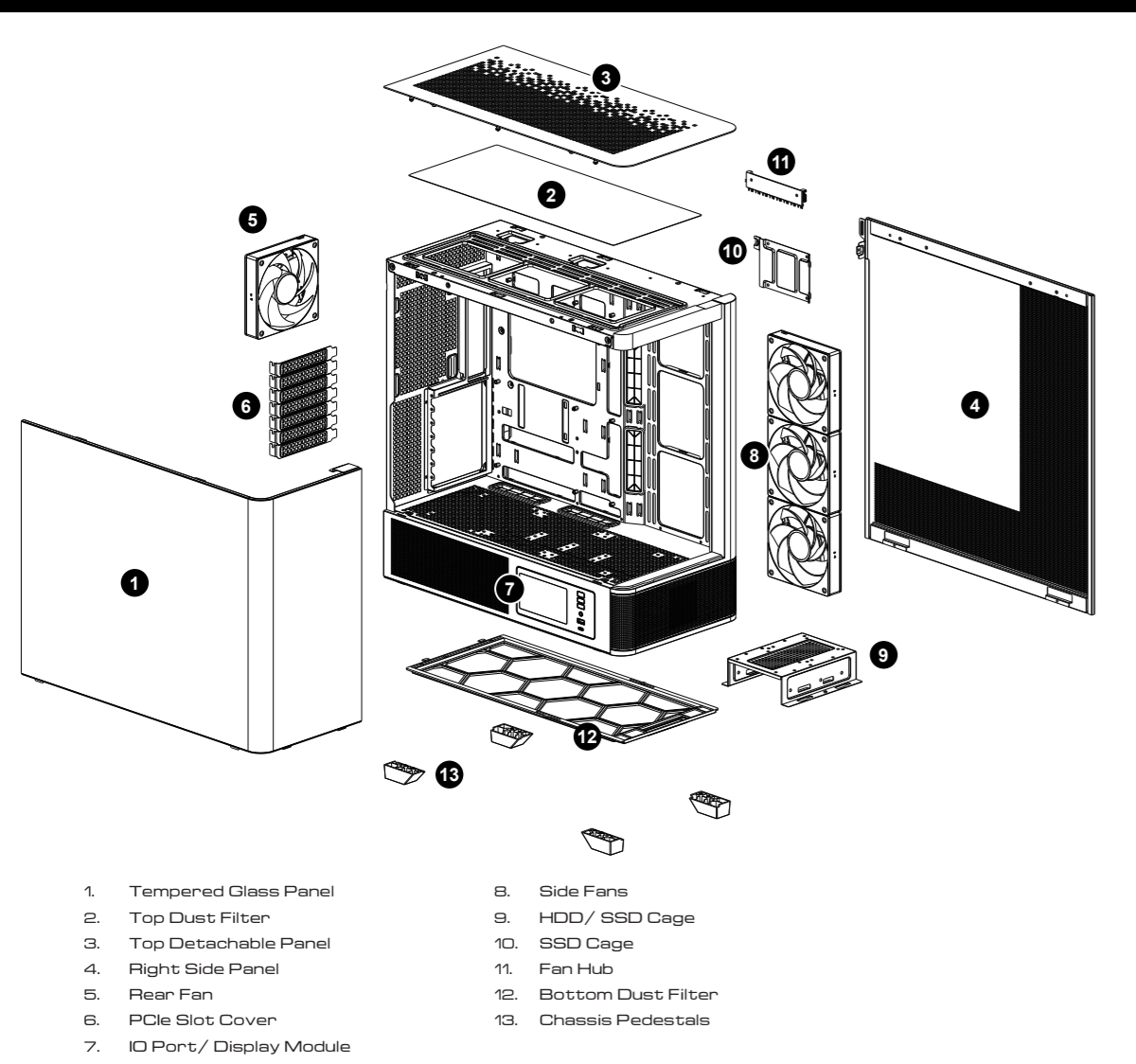
▼ Tempered Glass Panel



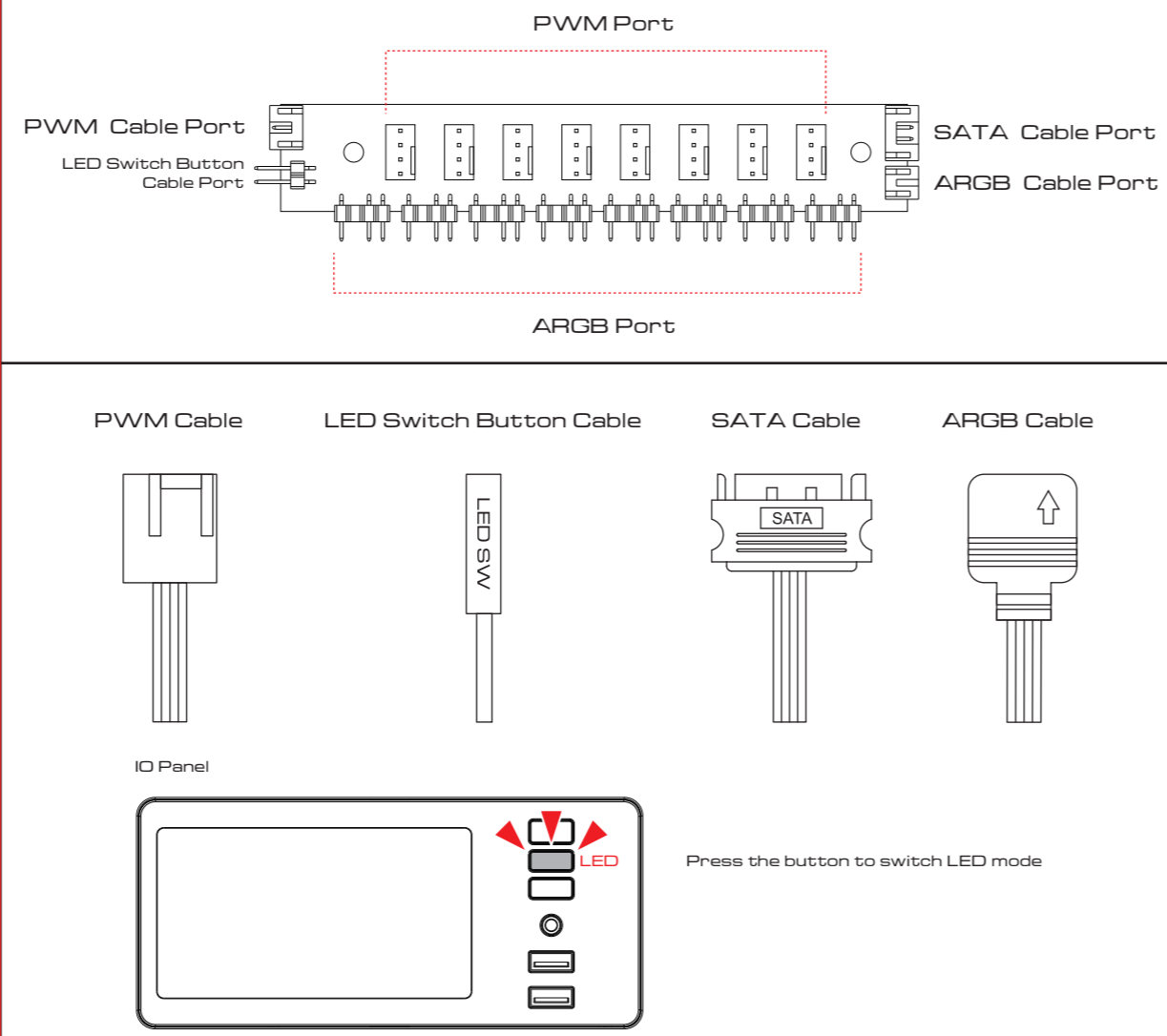
▼ Power Supply Unit (PSU) Installation



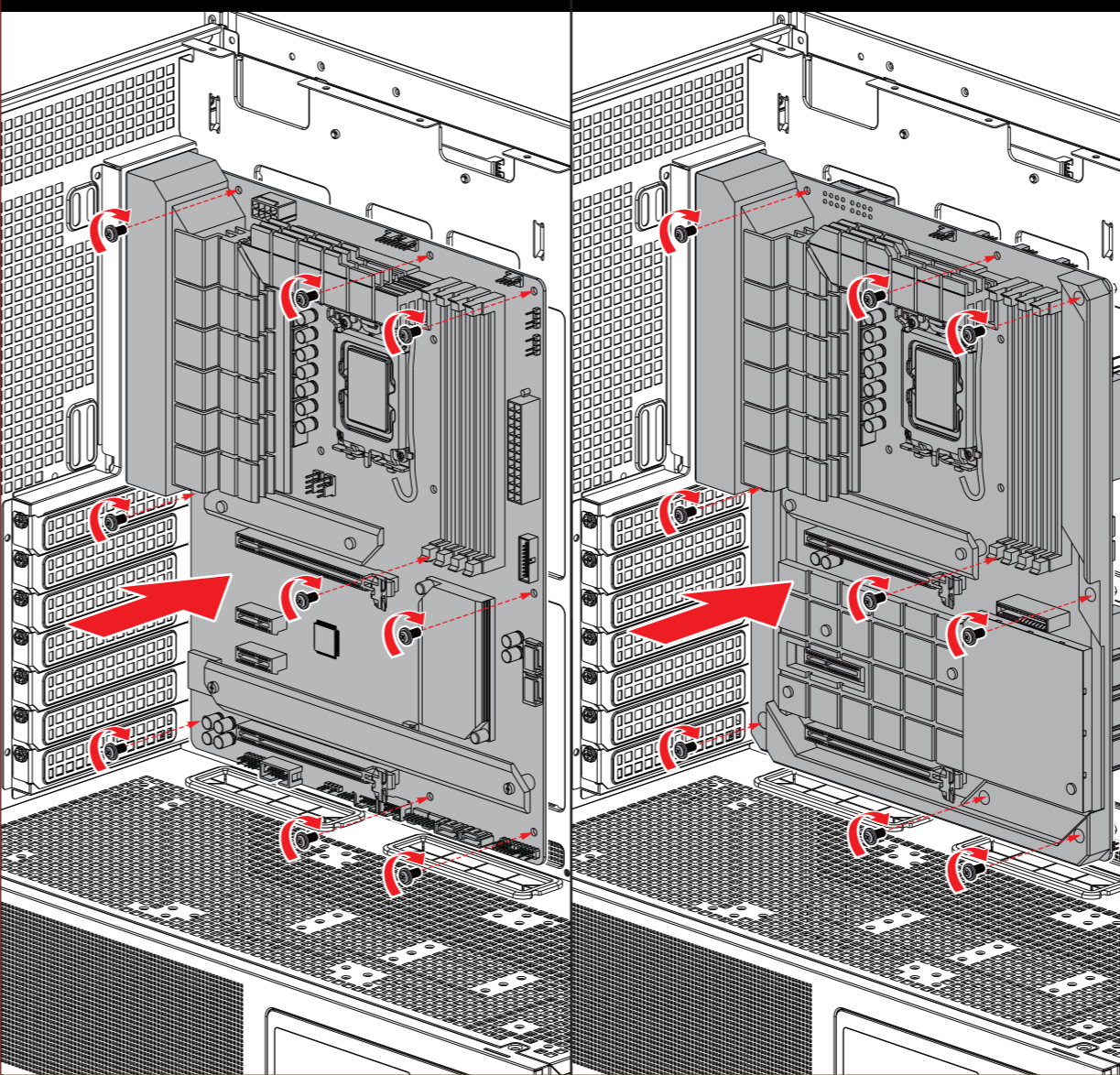
▼ Case Layout and Parts Identification



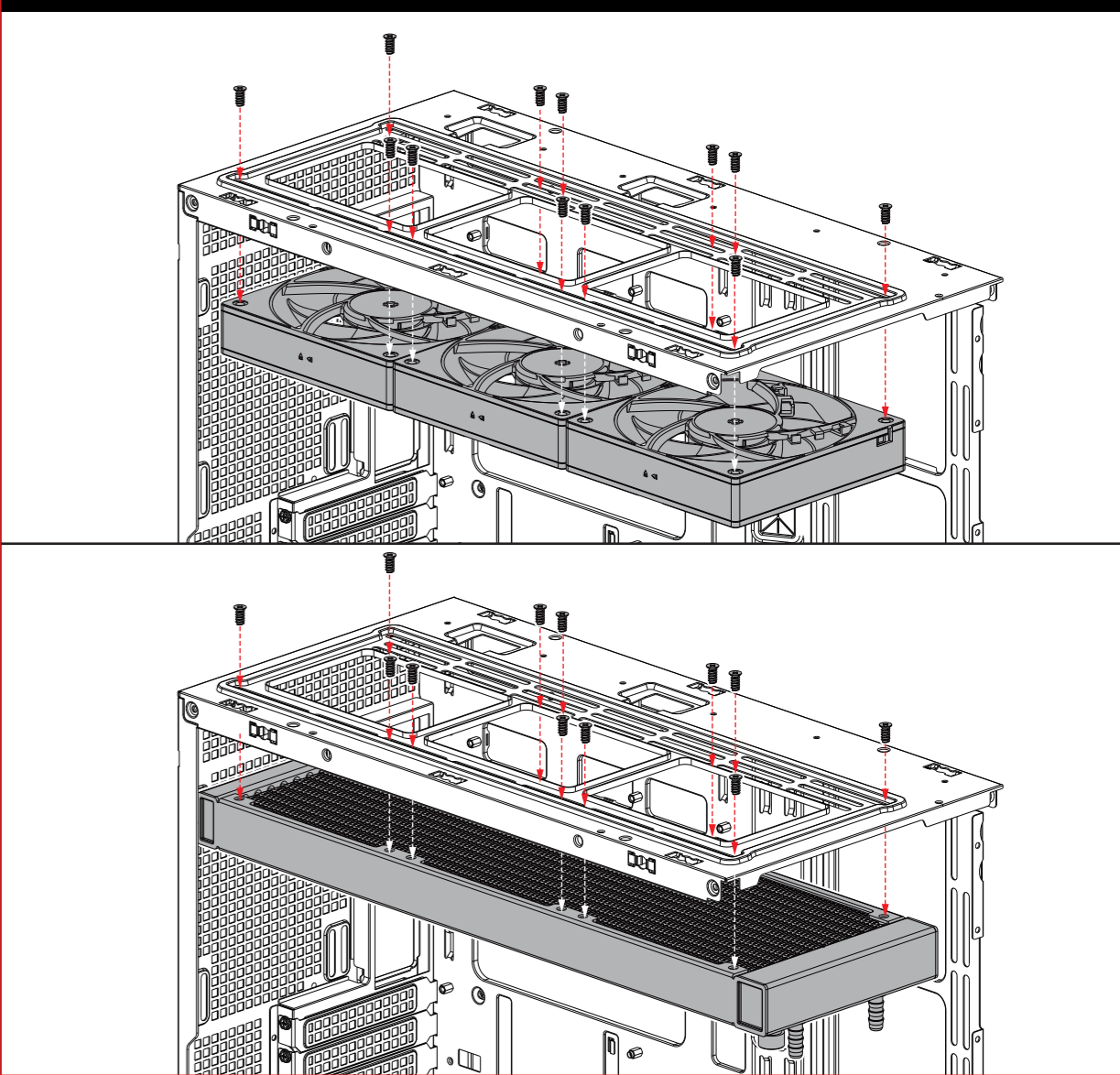
▼ Fan Hub



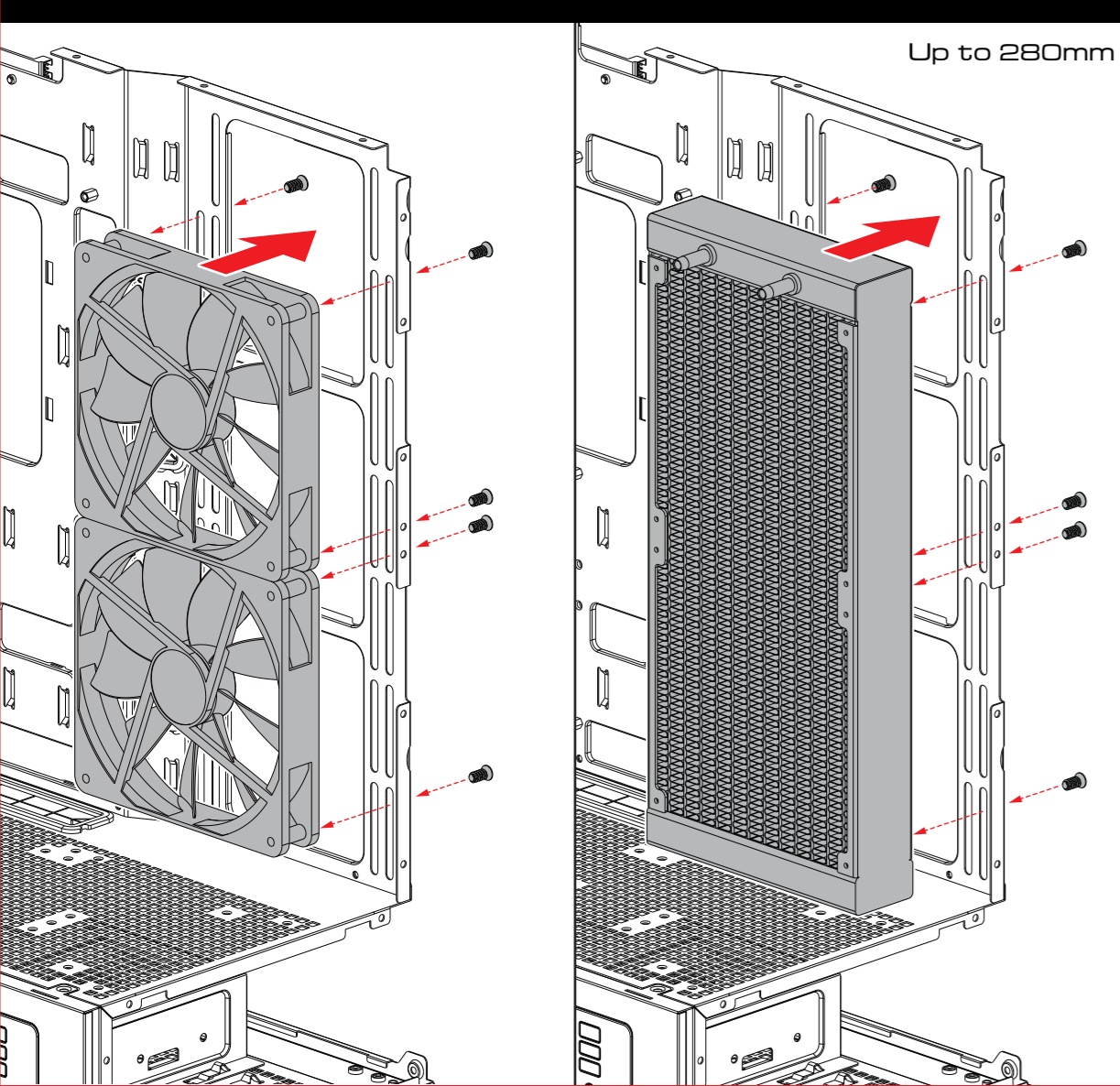
▼ Motherboard Installation (hidden connector)



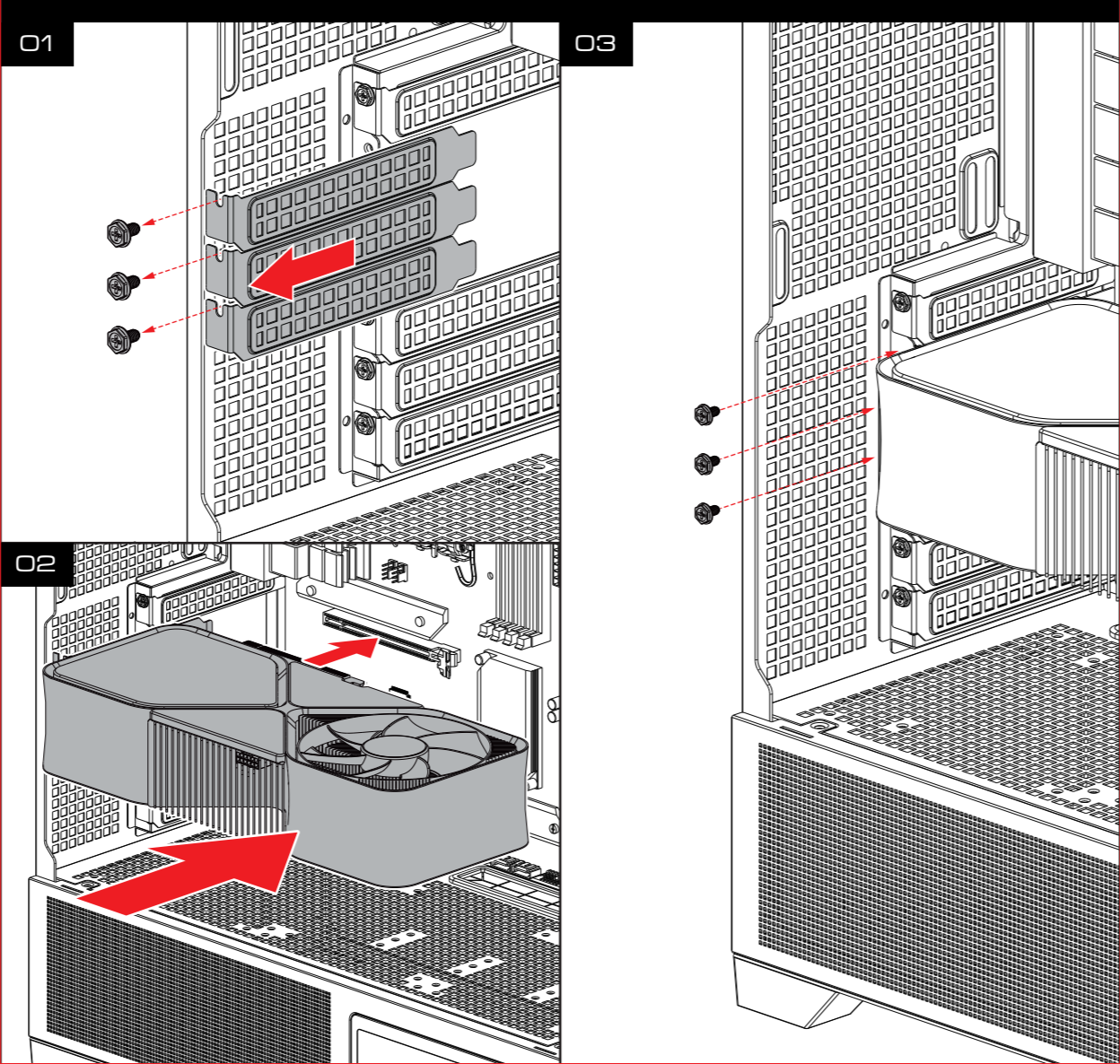
▼ Fan/ Radiator Setup (Top)



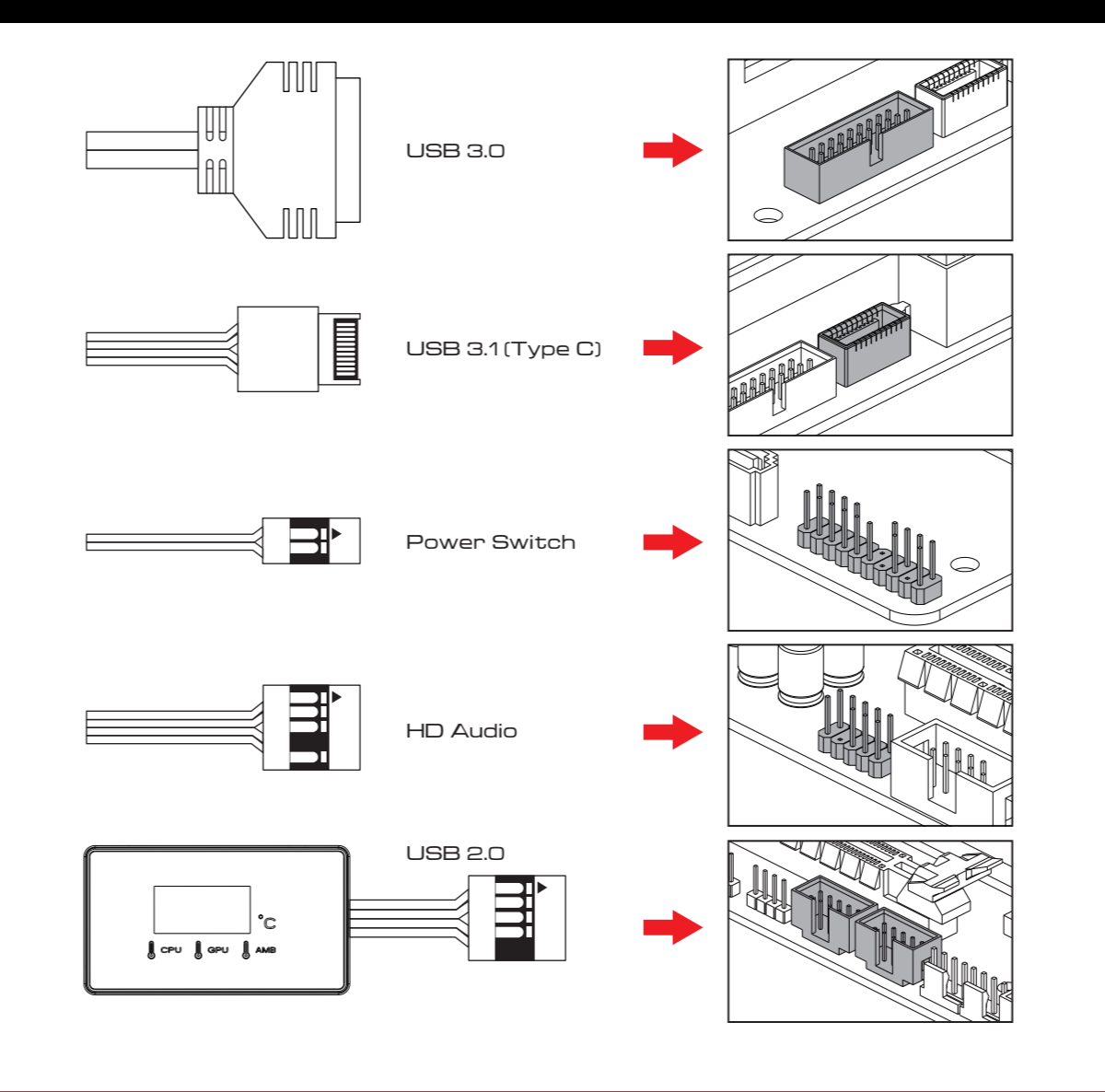
▼ Fan / Radiator Setup (Side)



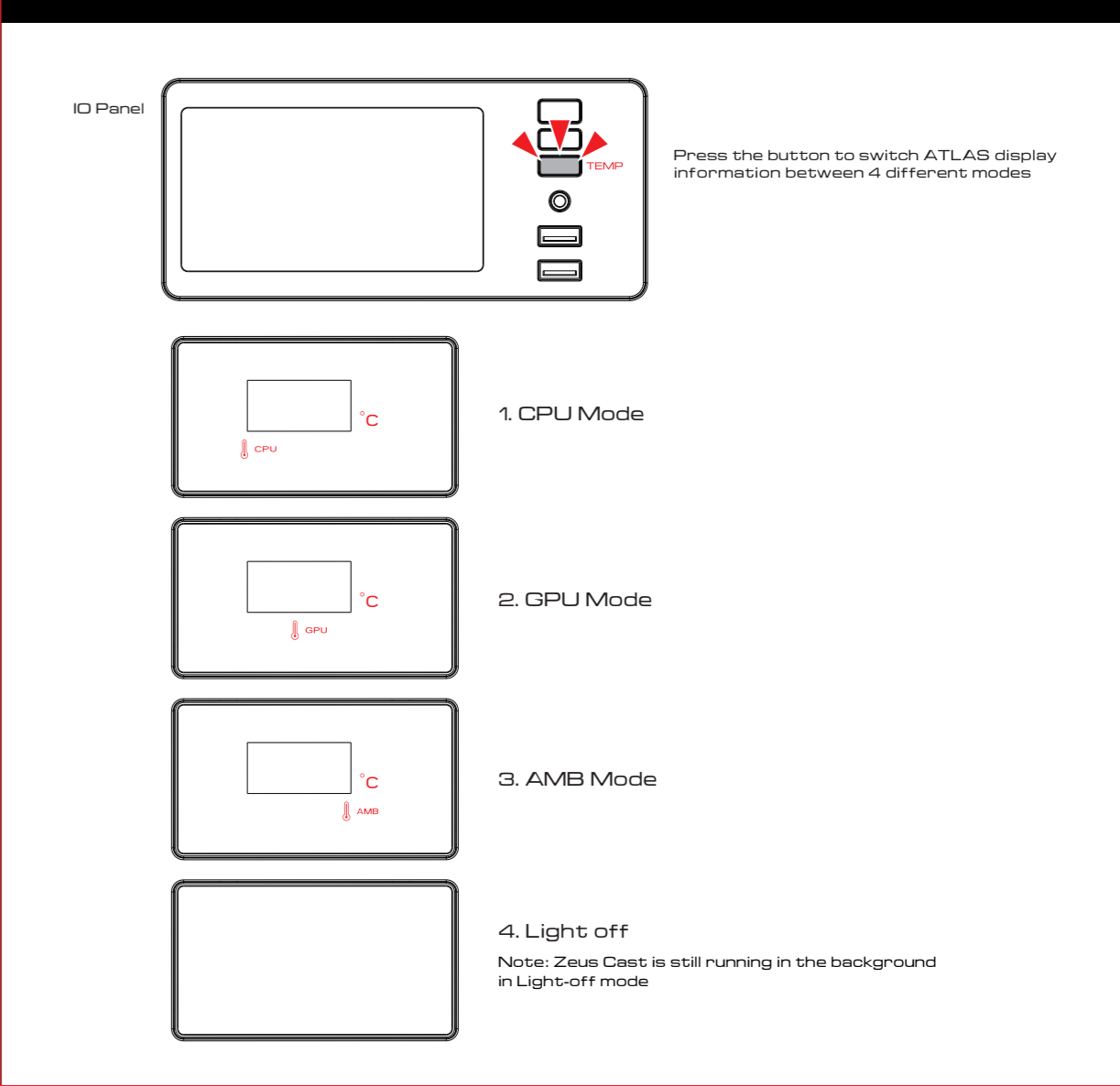
▼ GPU Installation



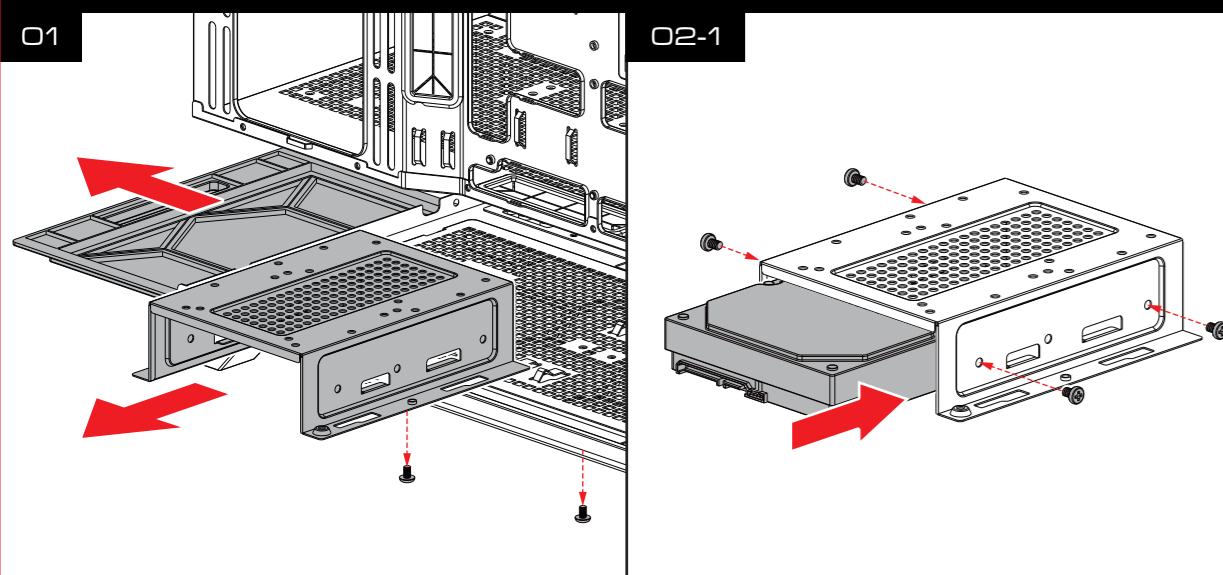
▼ I/O Ports / Display Connection



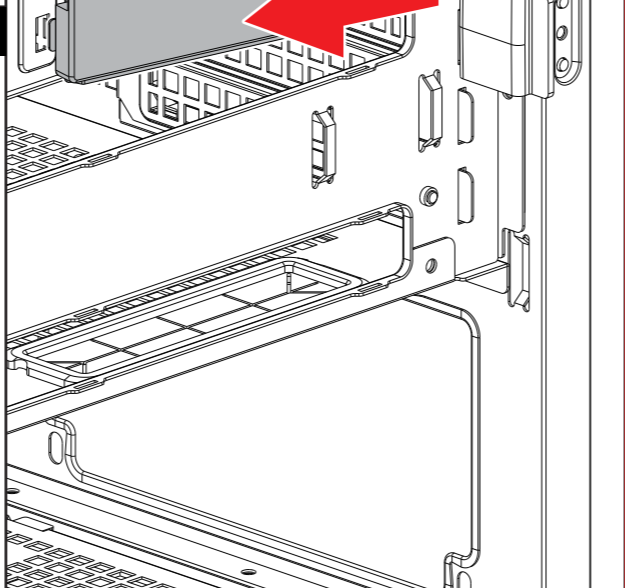
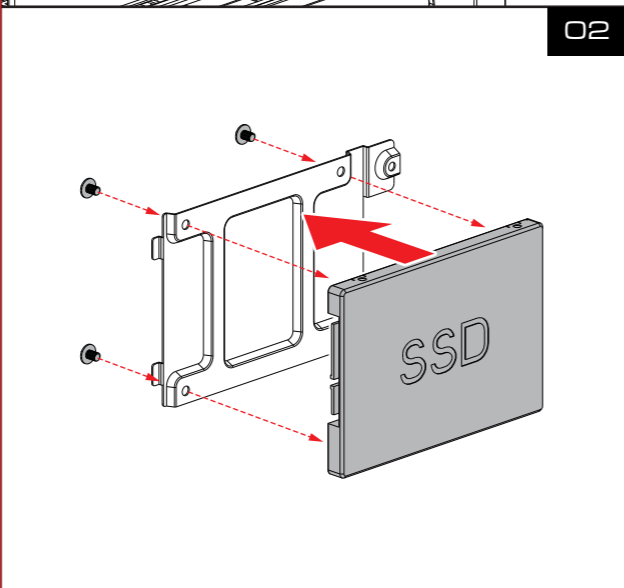
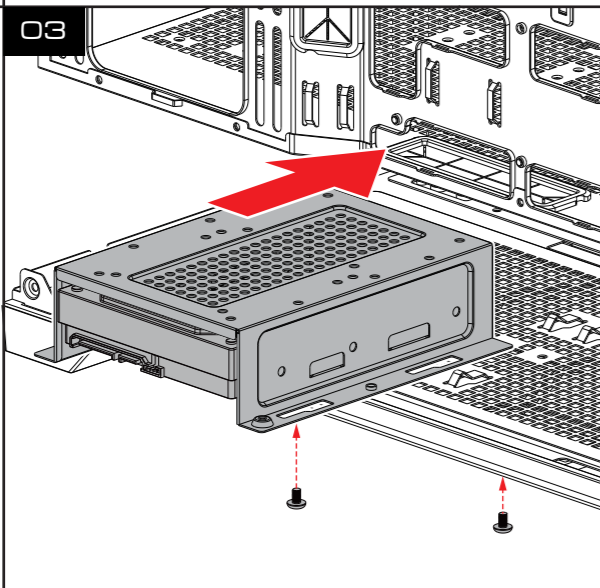
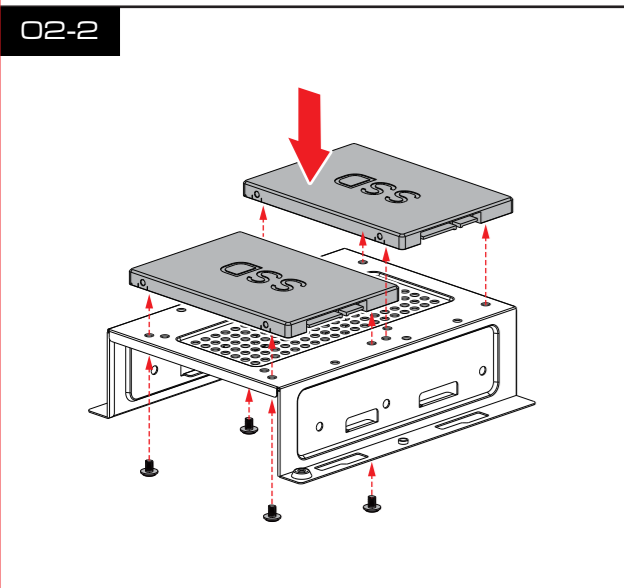
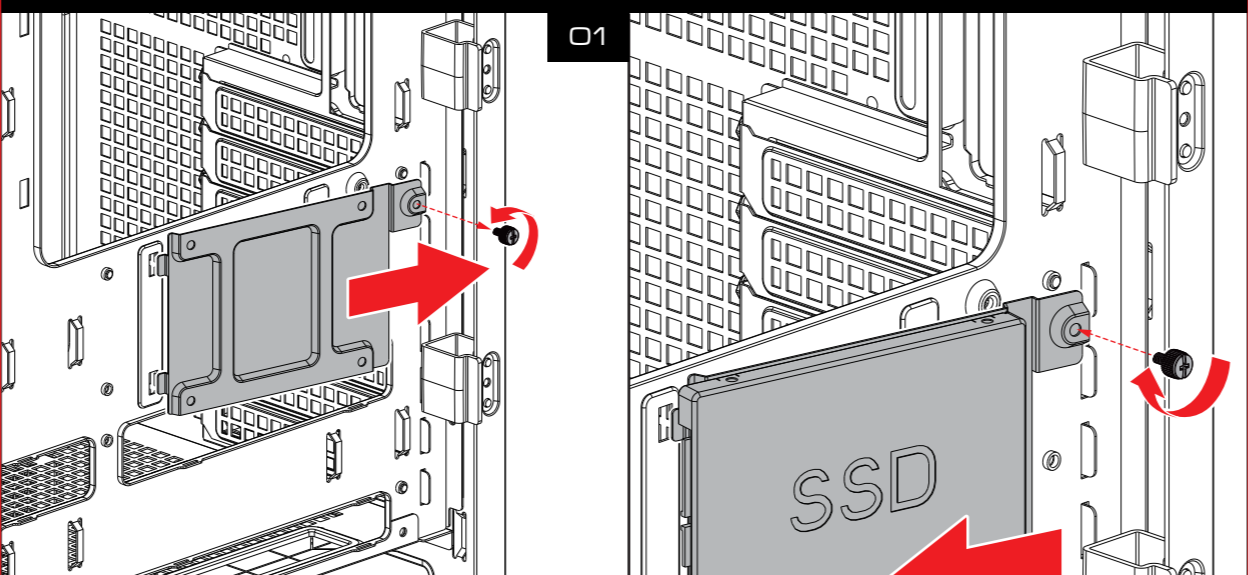
▼ Mode Variation and Instruction



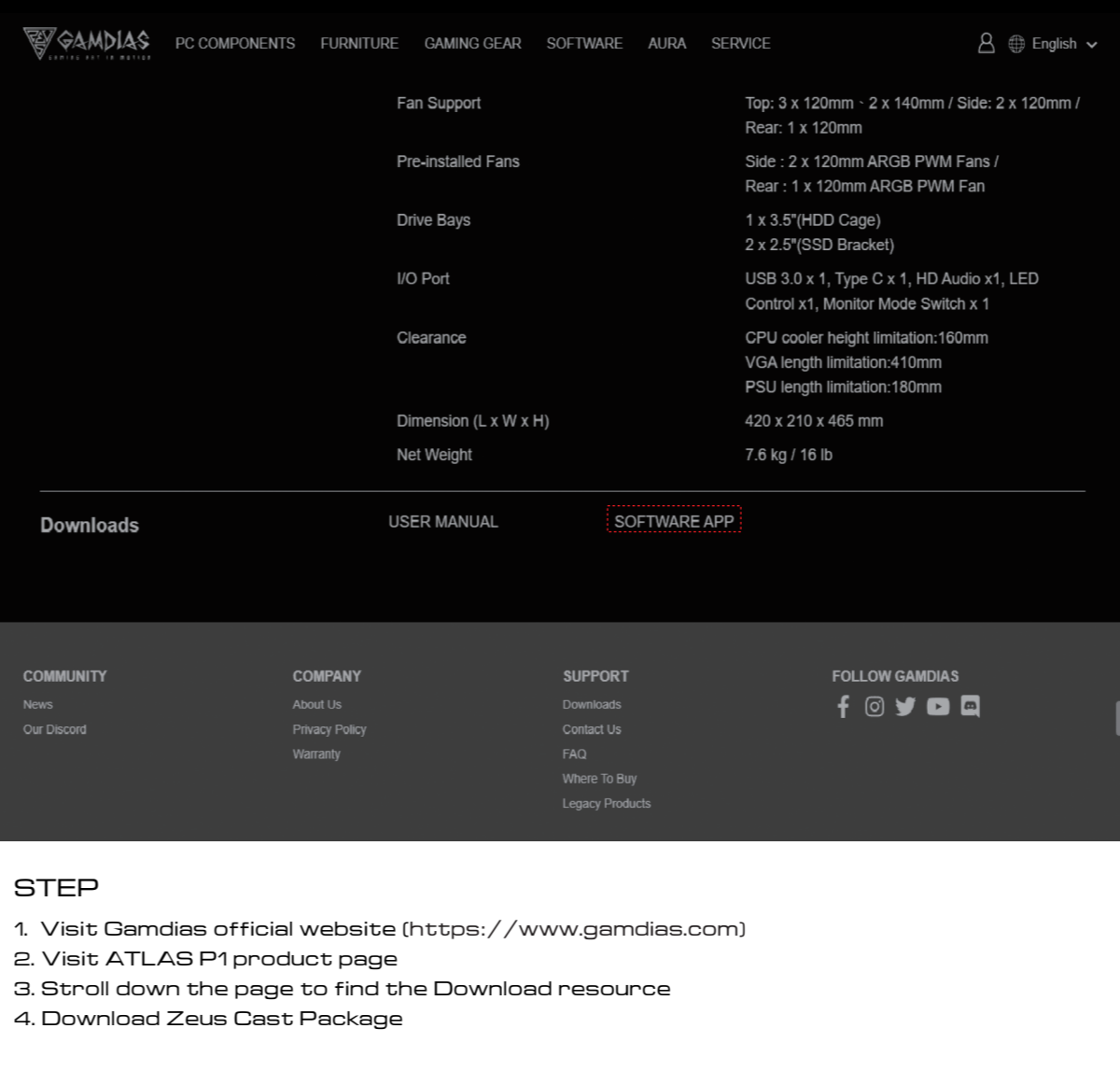
▼ 3.5" & 2.5" HDD/SDD Installation



▼ 2.5" HDD/SDD Installation



▼ Software Download: ZEUS CAST



▼ Software Instruction

