
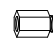
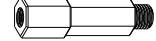










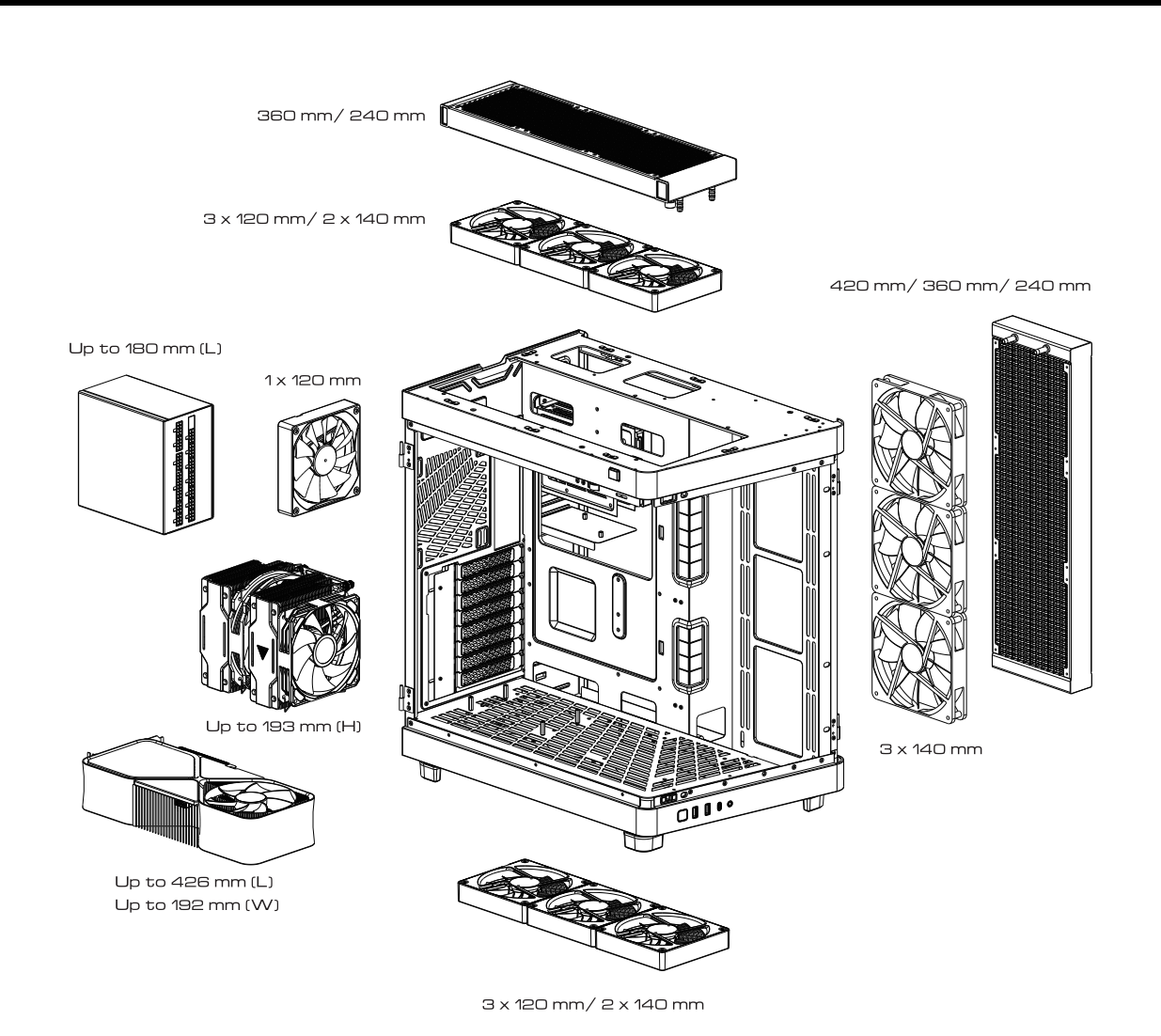
NESO | P1

FULL-TOWER PC CASE

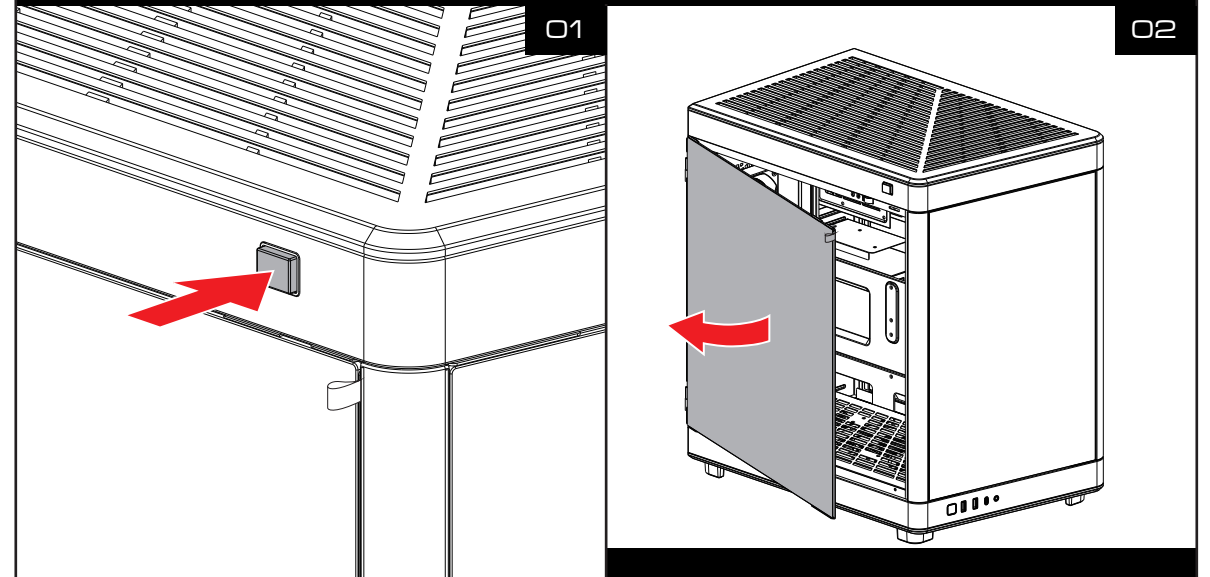
▼ Package Contents

- A. NESO P1
- B. User Manual
- C. Accessory Box
 - i. Motherboard/ SSD screws (9) 
 - ii. Motherboard additional standoffs (3) 
 - iii. Vertical GPU standoffs (4) 
 - iv. PSU/ GPU PCIe screws (6) 
 - v. HDD cage screws (8) 
 - vi. Fan screws (12) 
 - vii. Zip ties (5) 
 - viii. Magnetic feet pads (4) 
 - ix. Sleeve screw (1) 

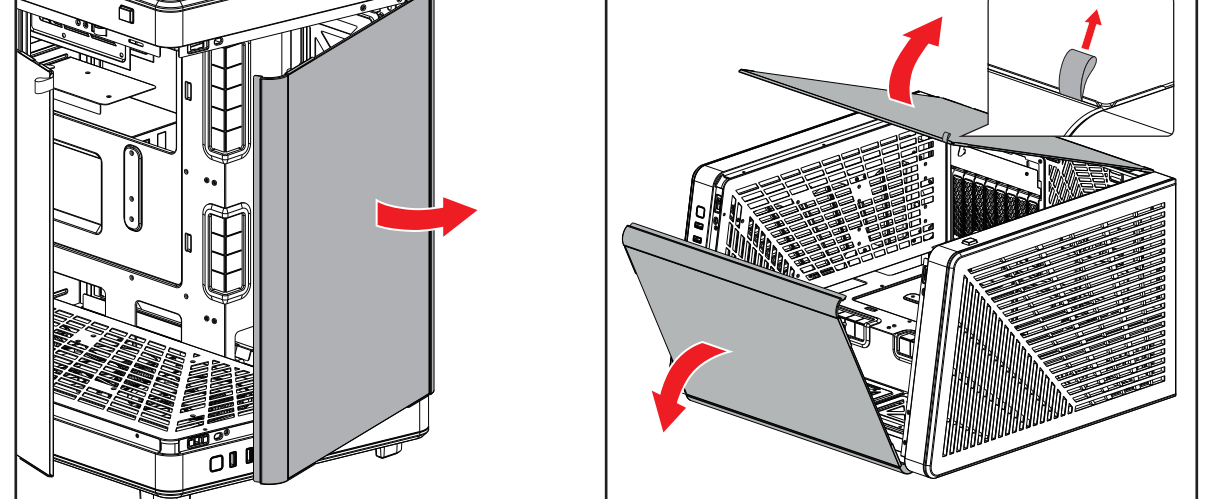
▼ Clearance



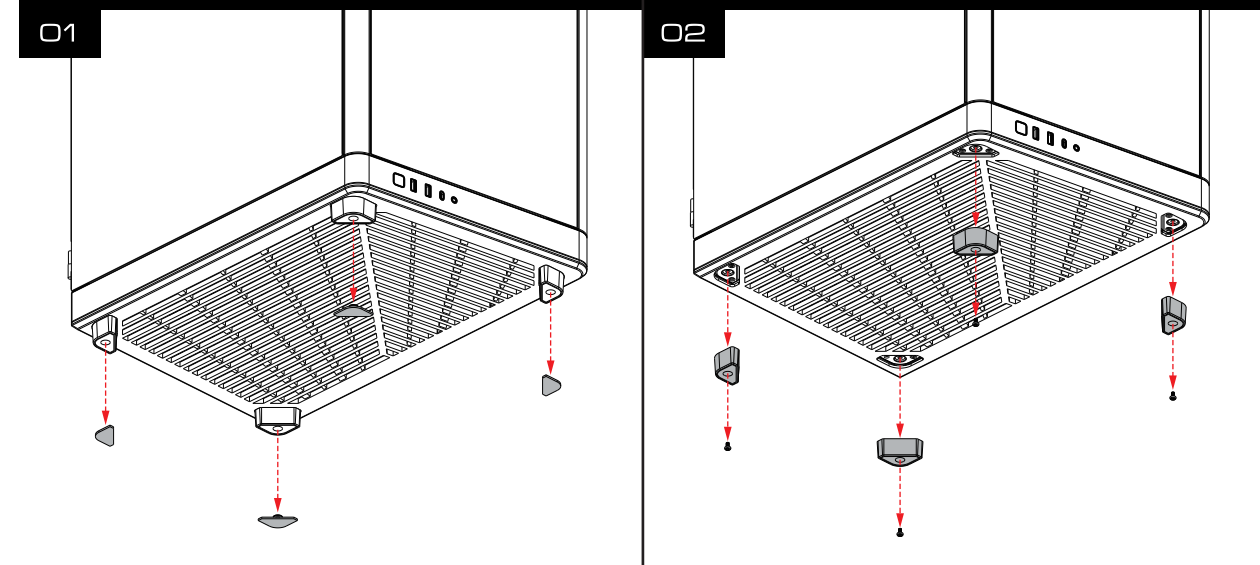
▼ Glass Panel (Vertical)



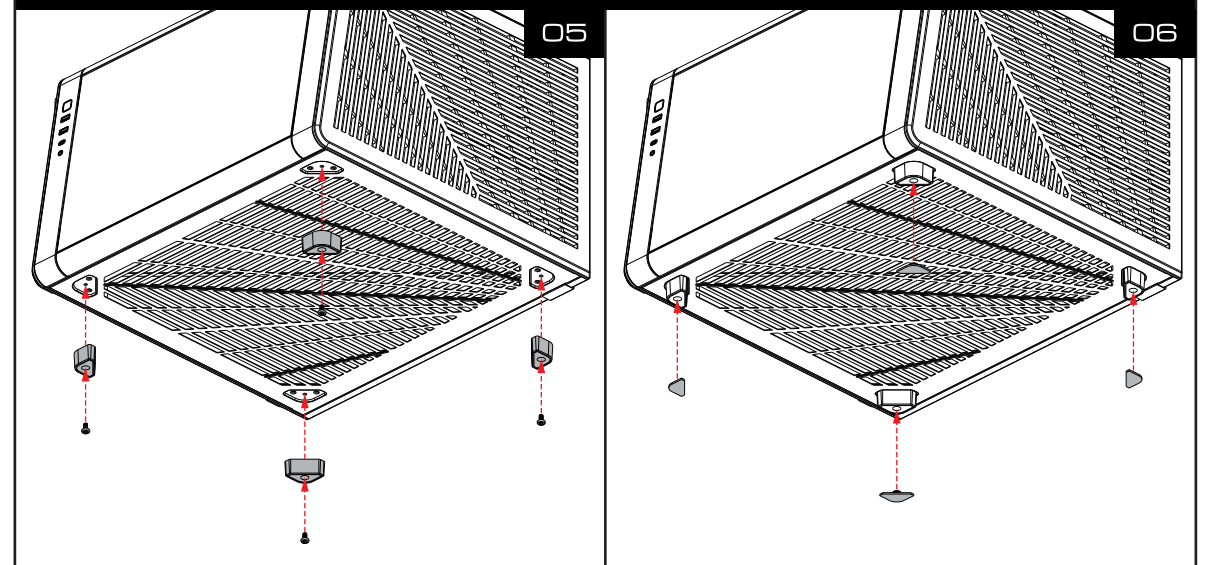
▼ Horizontal



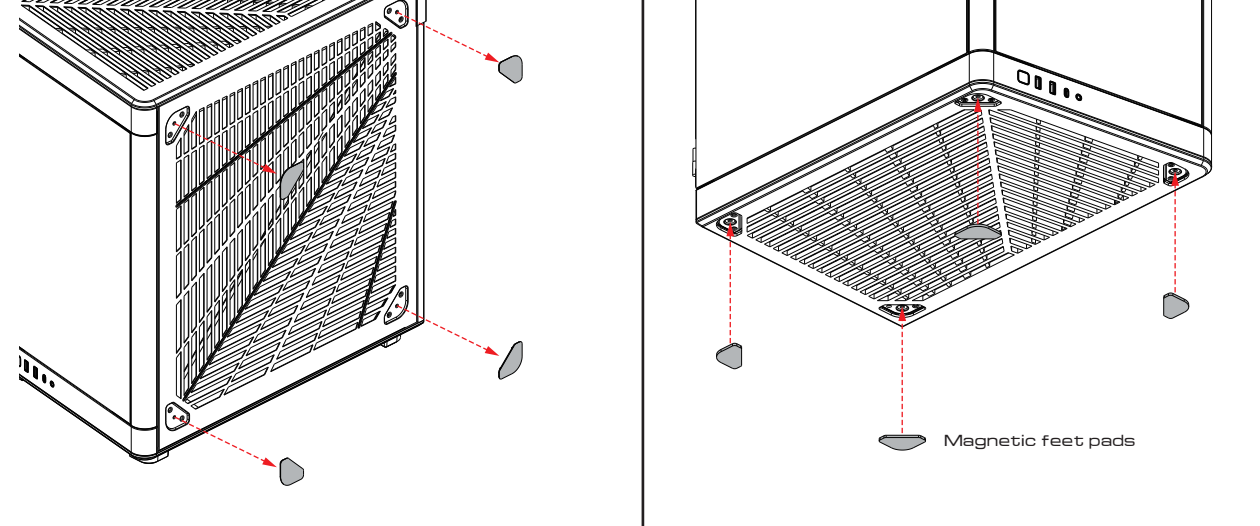
▼ Appearance Switch



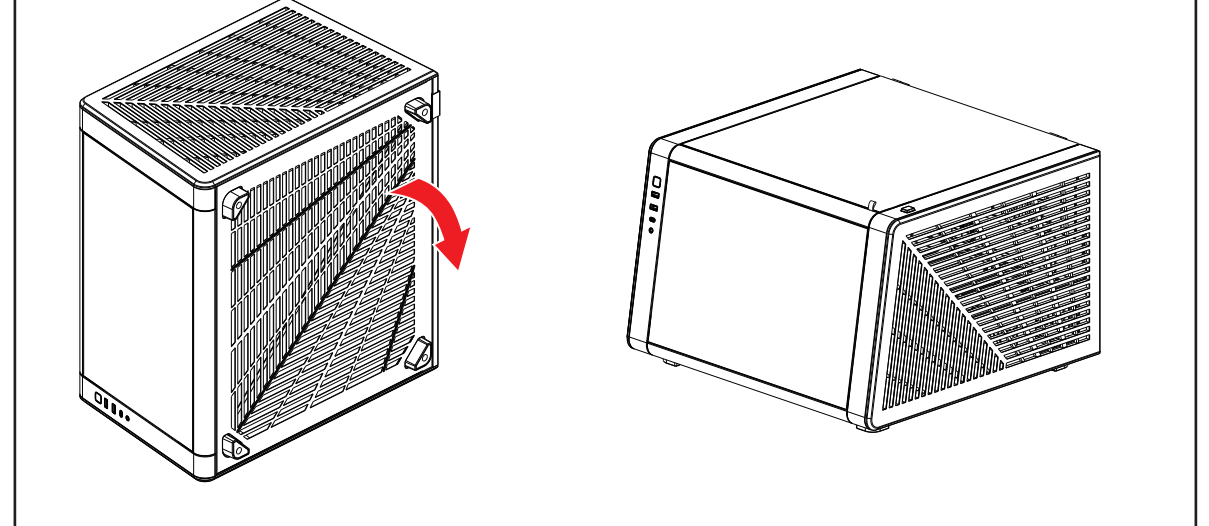
▼ Appearance Switch



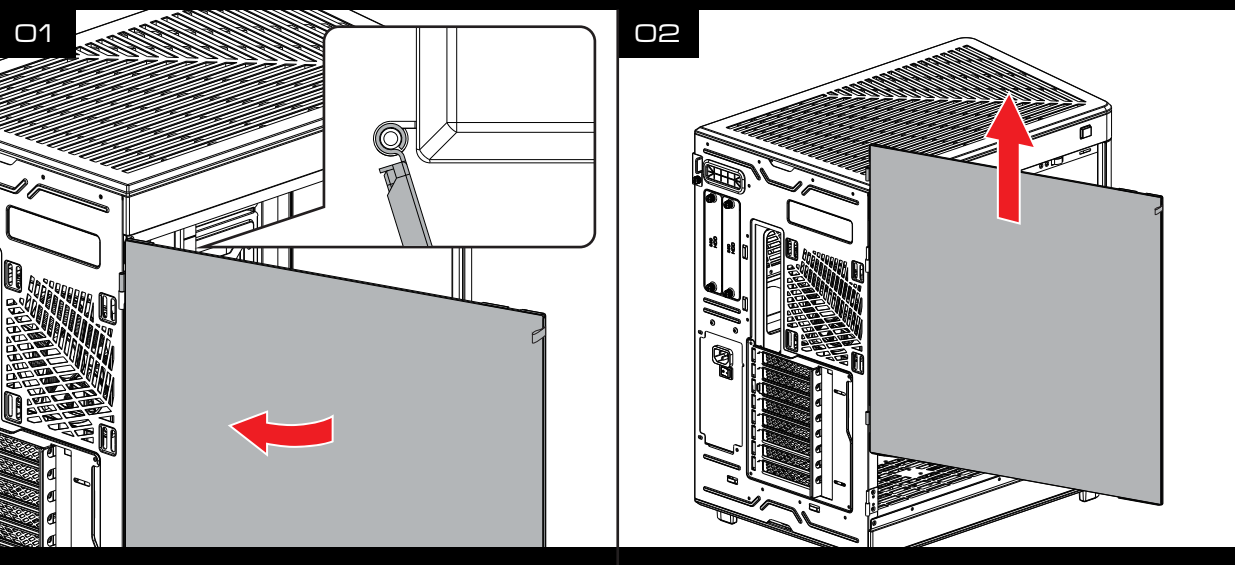
▼ Appearance Switch



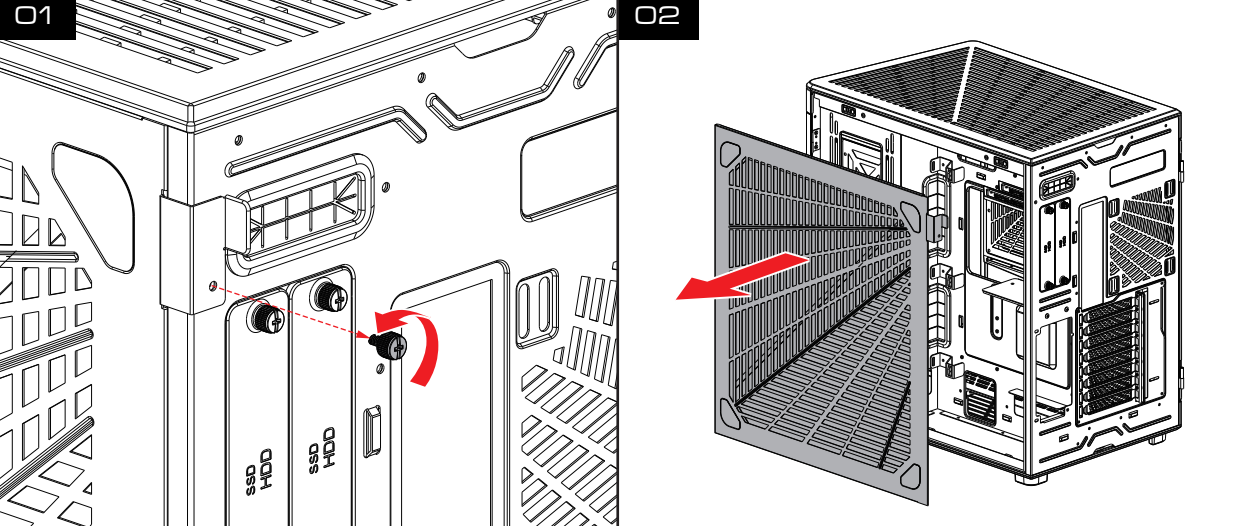
▼ Appearance Switch



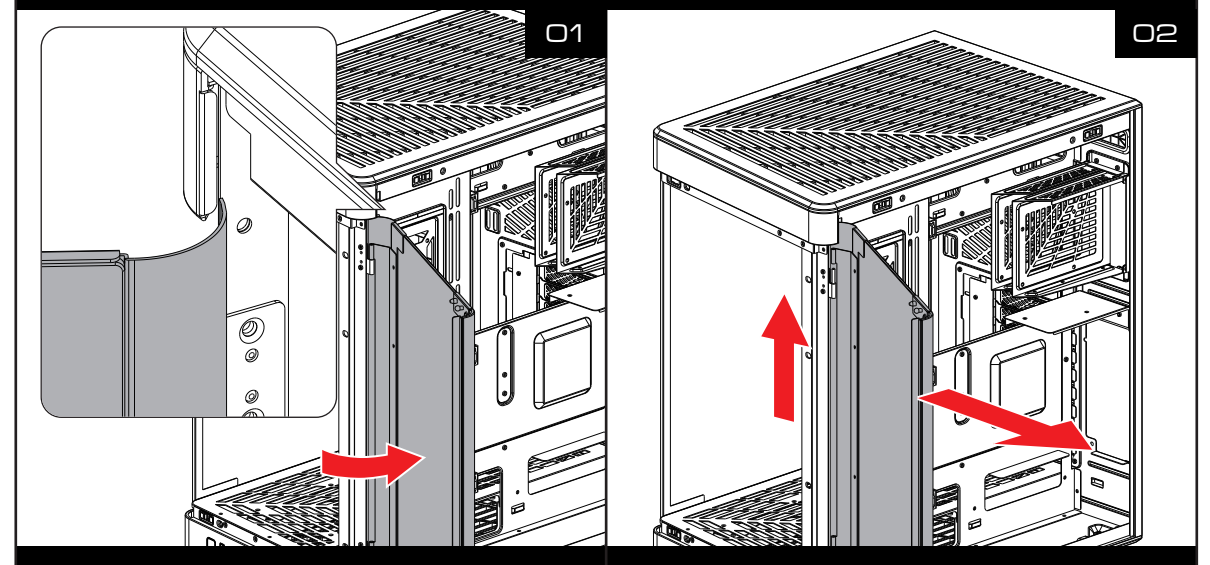
▼ Left Panel



▼ Right Panel



▼ Front Panel



▼ Top/Bottom Cover

