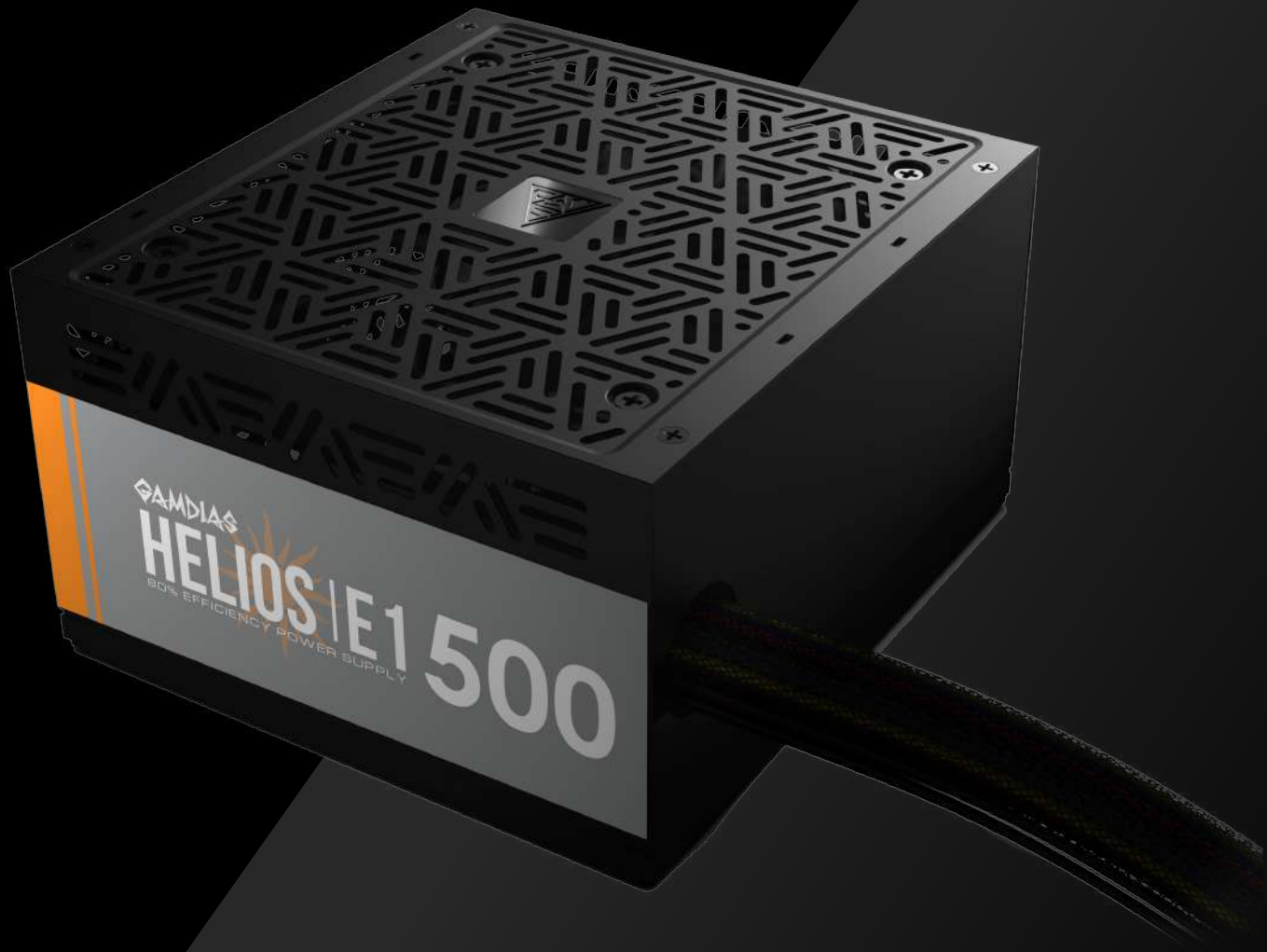


# STEP by STEP INSTALLATION GUIDE



**GAMDIAS**  
**HELIOS IE1-500W**  
80% EFFICIENCY POWER SUPPLY

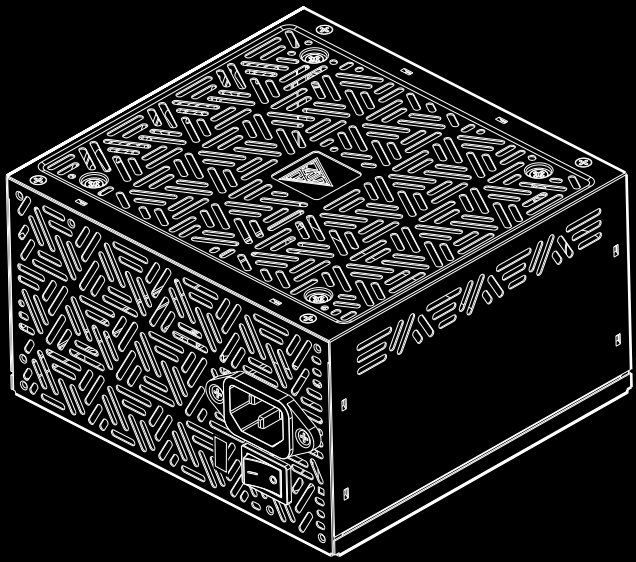
# Specifications

<b>Model Name</b>	<b>HELIOS E1-500</b>				
<b>AC Input</b>	<b>100-130V/200-240V , 3.5-7.5A , 47-63Hz</b>				
<b>DC Output</b>	<b>+3.3V</b>	<b>+5V</b>	<b>+12V</b>	<b>-12V</b>	<b>+5Vsb</b>
<b>Max. Output Current</b>	<b>15A</b>	<b>15A</b>	<b>32A</b>	<b>0.3A</b>	<b>2.5A</b>
<b>Max. Output Power</b>	<b>100W</b>		<b>384W</b>	<b>3.6W</b>	<b>12.5W</b>
<b>Total Power</b>	<b>500W</b>				

 The power supply should be powered by the source indicated on the rating label

# Package Contents

**A**



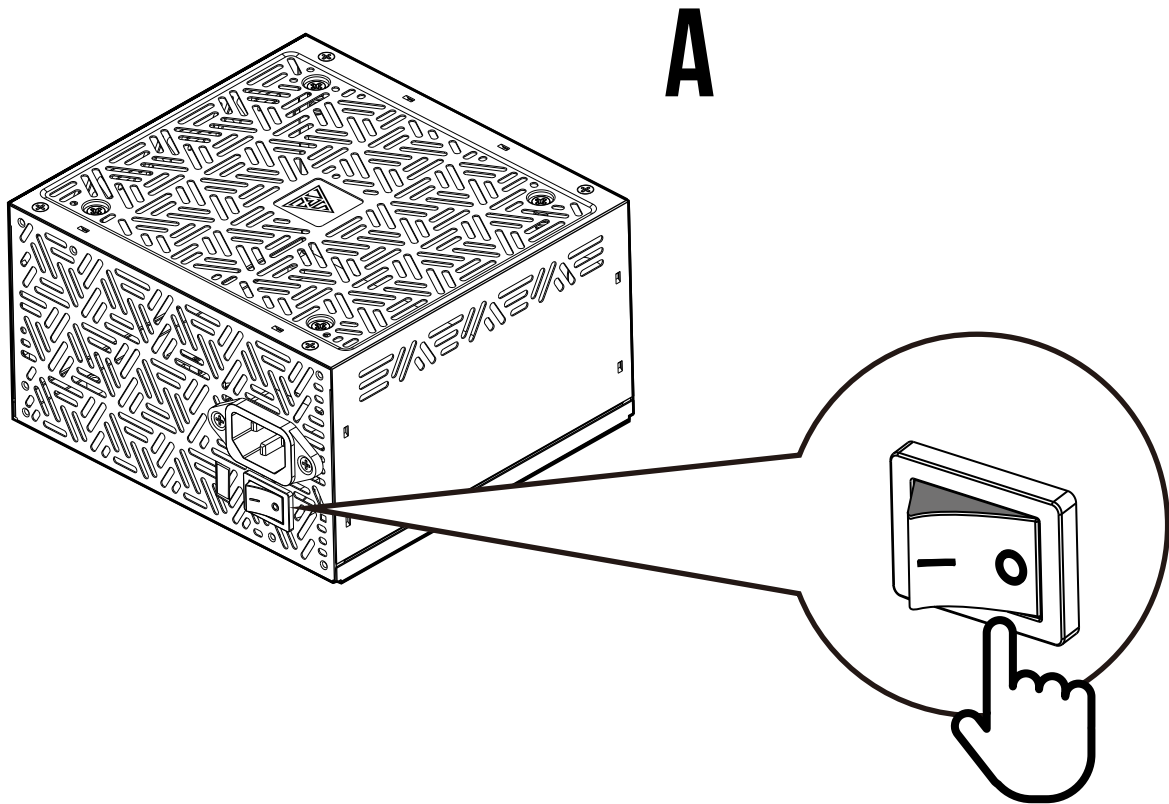
**X1**

**B**

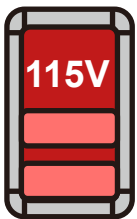
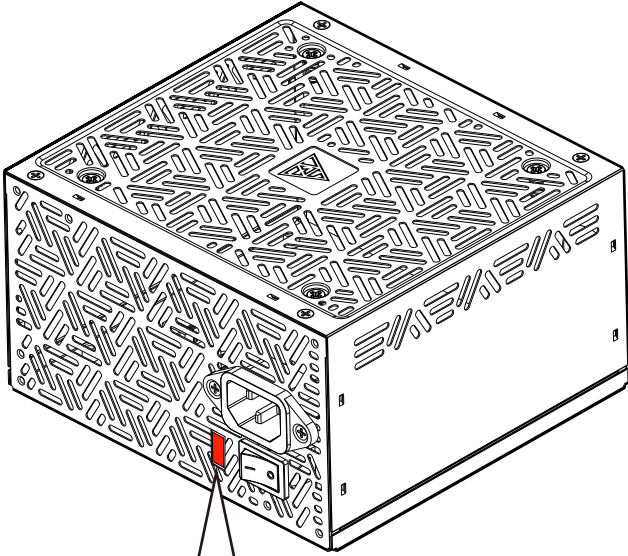


**X4**

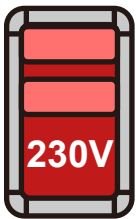
**1** Turn off the PSU before installing by pushing I/O switch to “O” position.



# 2



- ▼ If AC voltage of your region is 100~130V, the voltage switch must be set to this position
- ▼ For example, if you live in the United States, the voltage switch must be set to this position

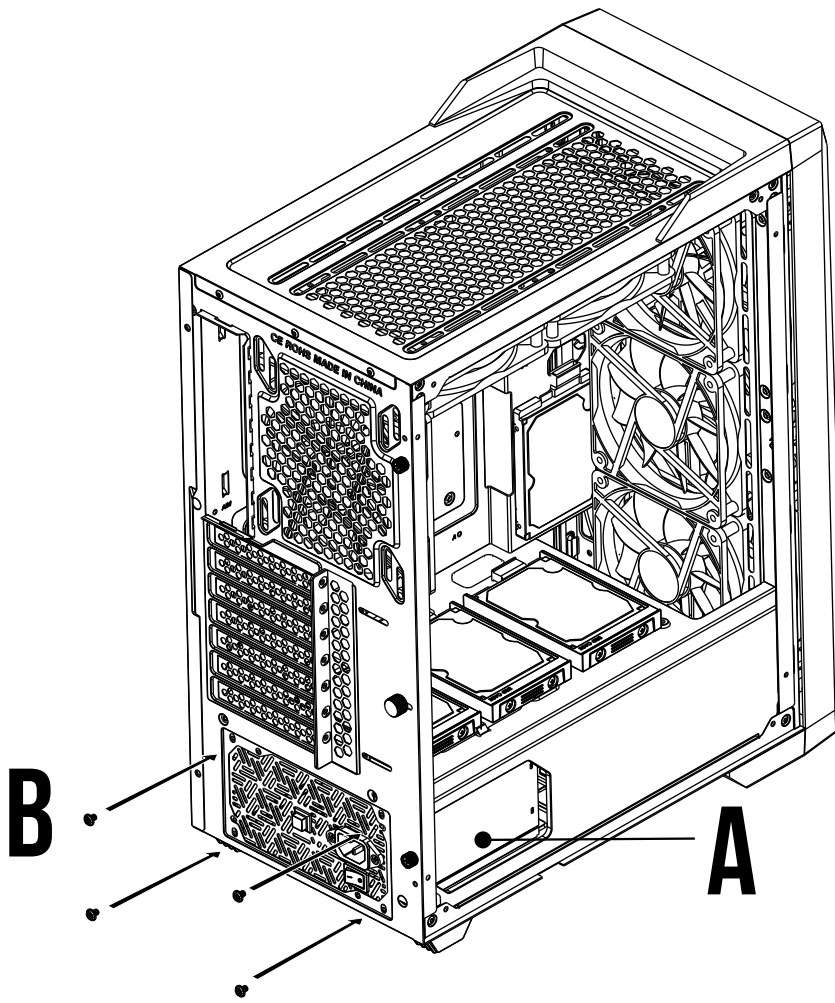


- ▼ If AC voltage of your region is 220~240V, voltage switch must be set to this position
- ▼ For example, if you live in France, the voltage switch must be set to this position



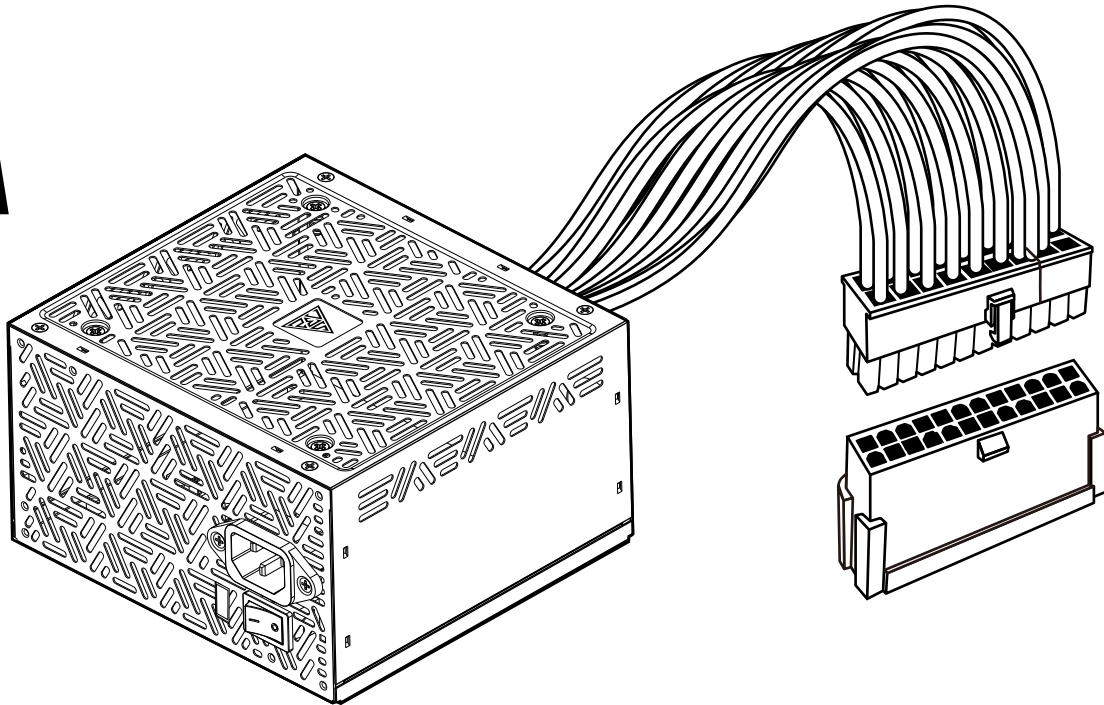
Make sure voltage switch is correctly set for your region before powered on. Incorrect voltage switch setting will destroy the PSU.

# 3

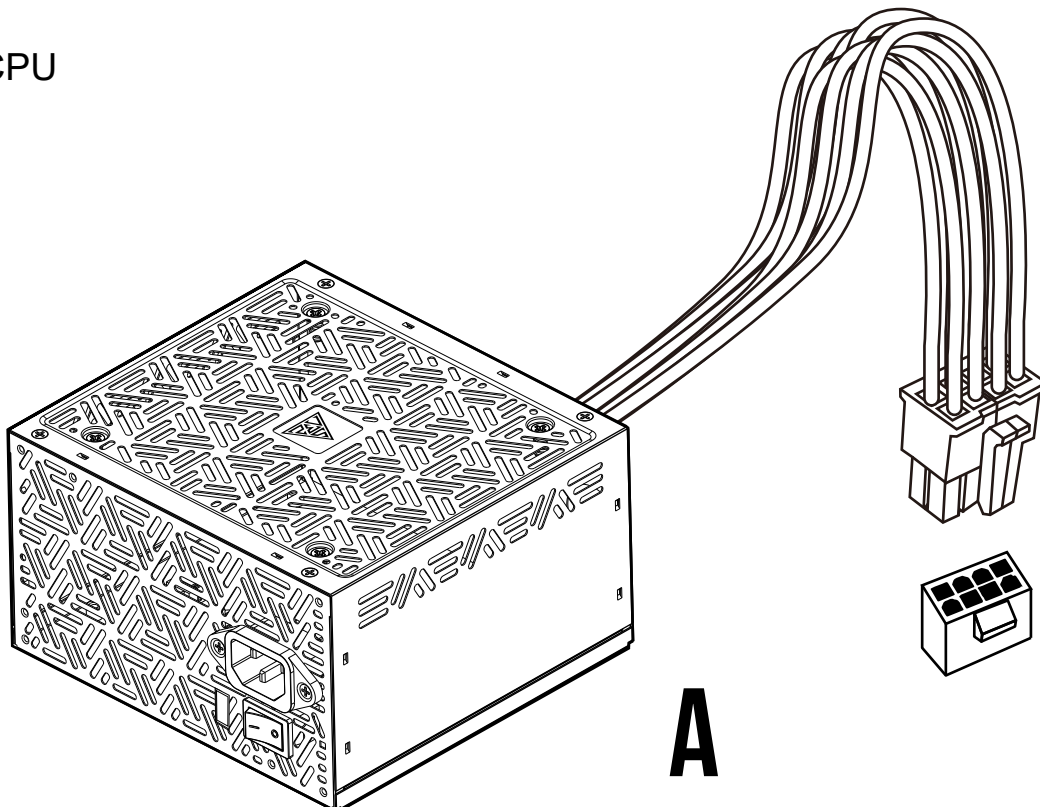


# 4 Motherboard

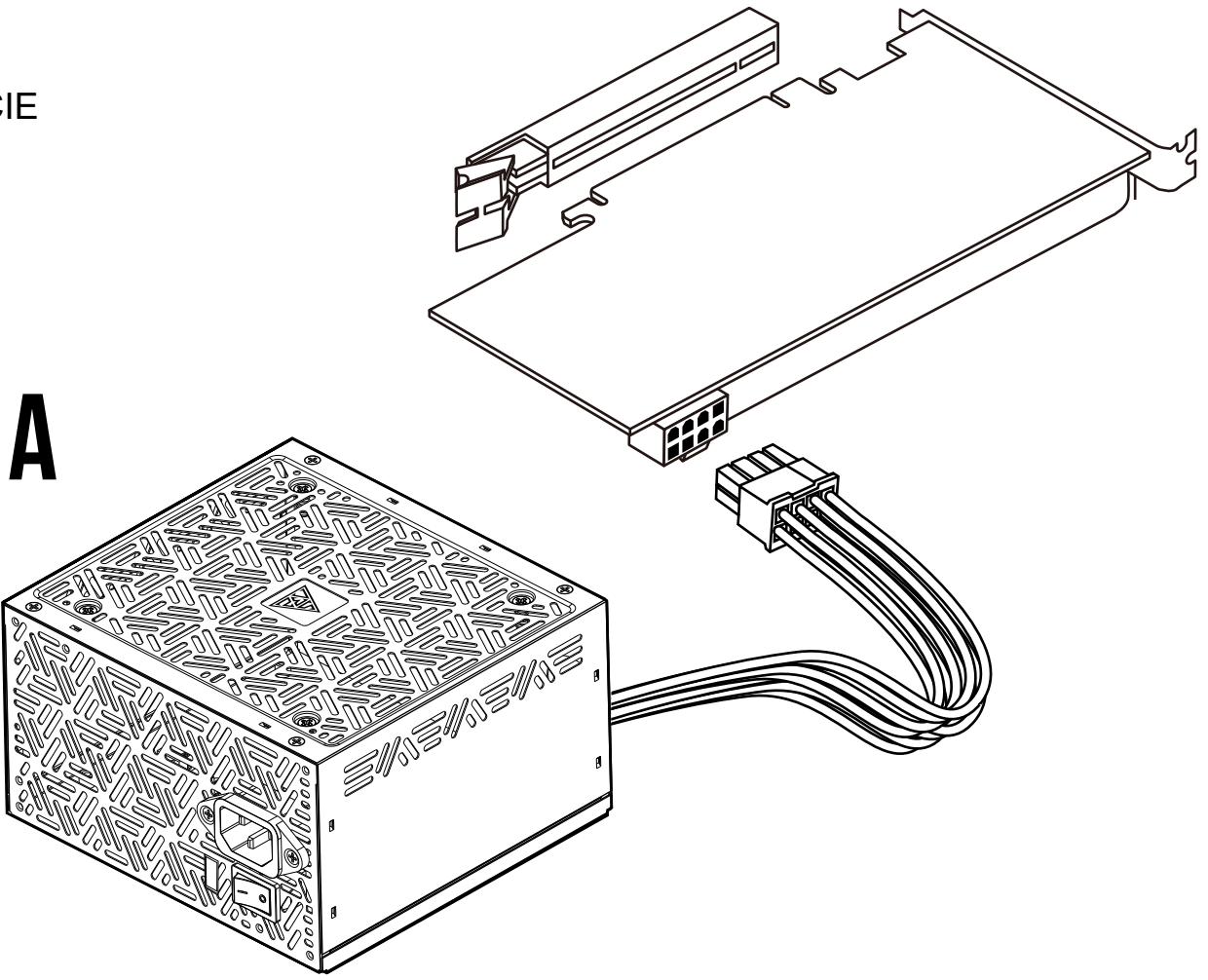
A



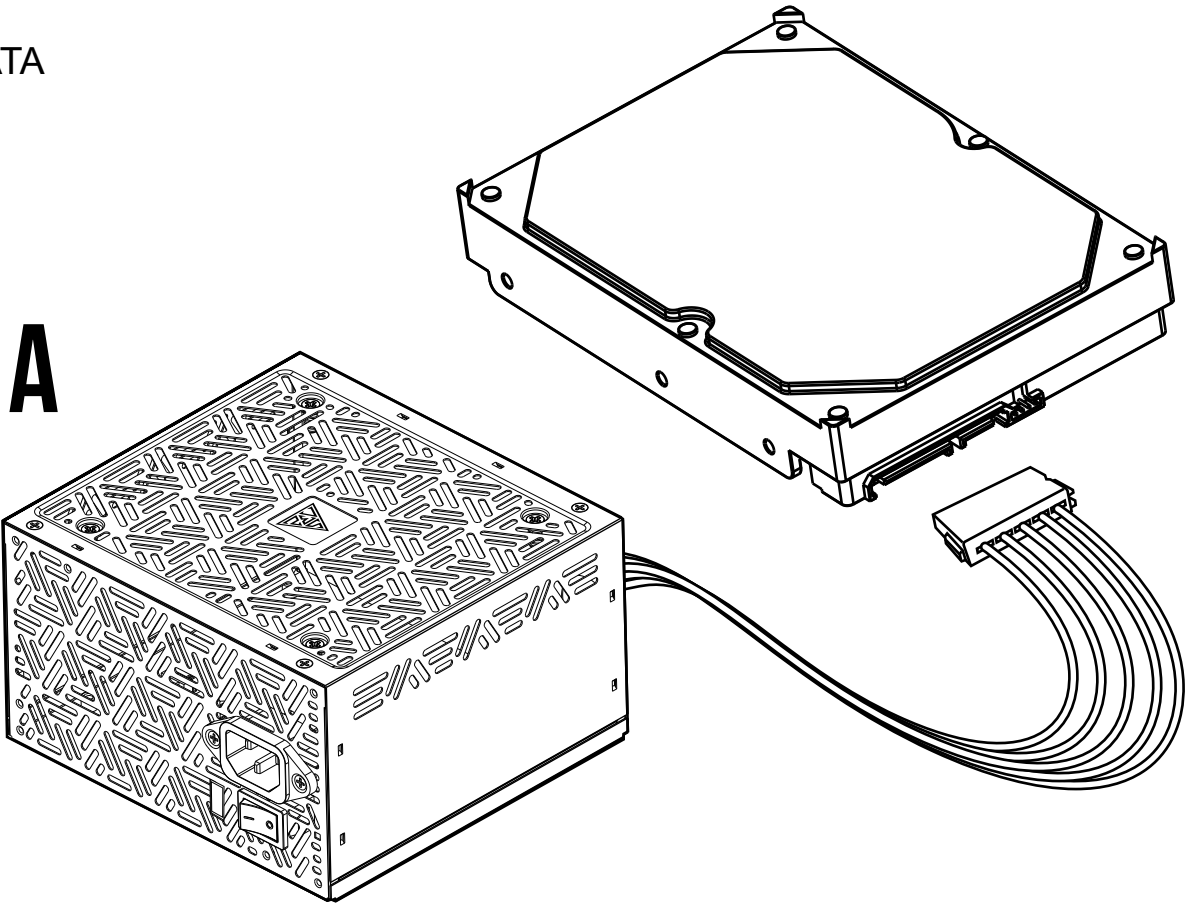
# 5 CPU



# 6 PCIE

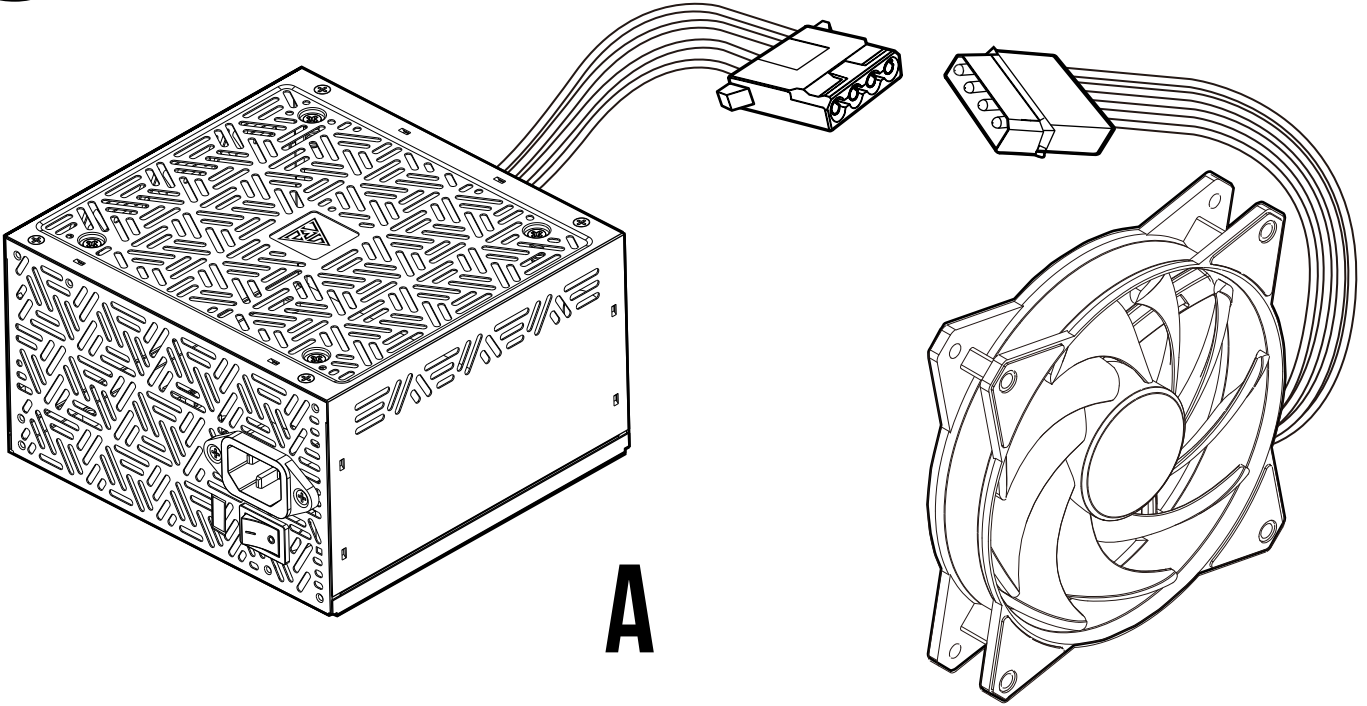


# 7 SATA

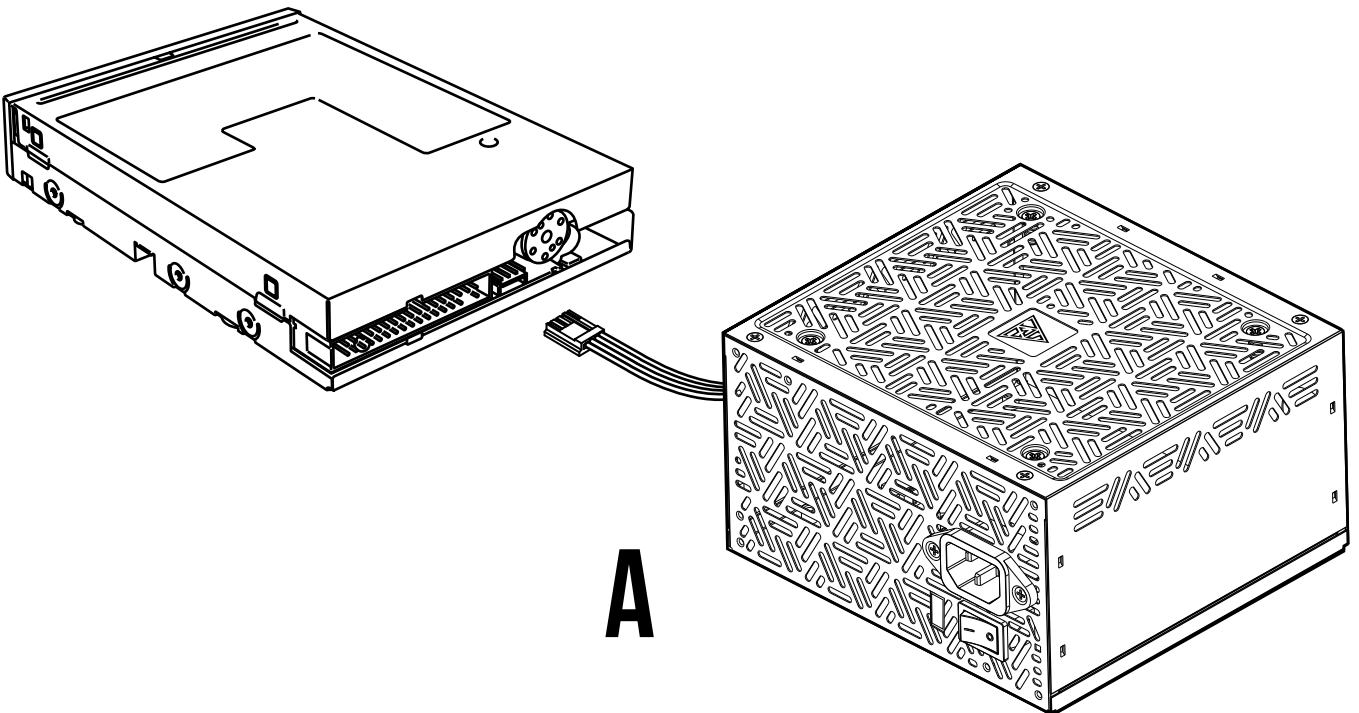




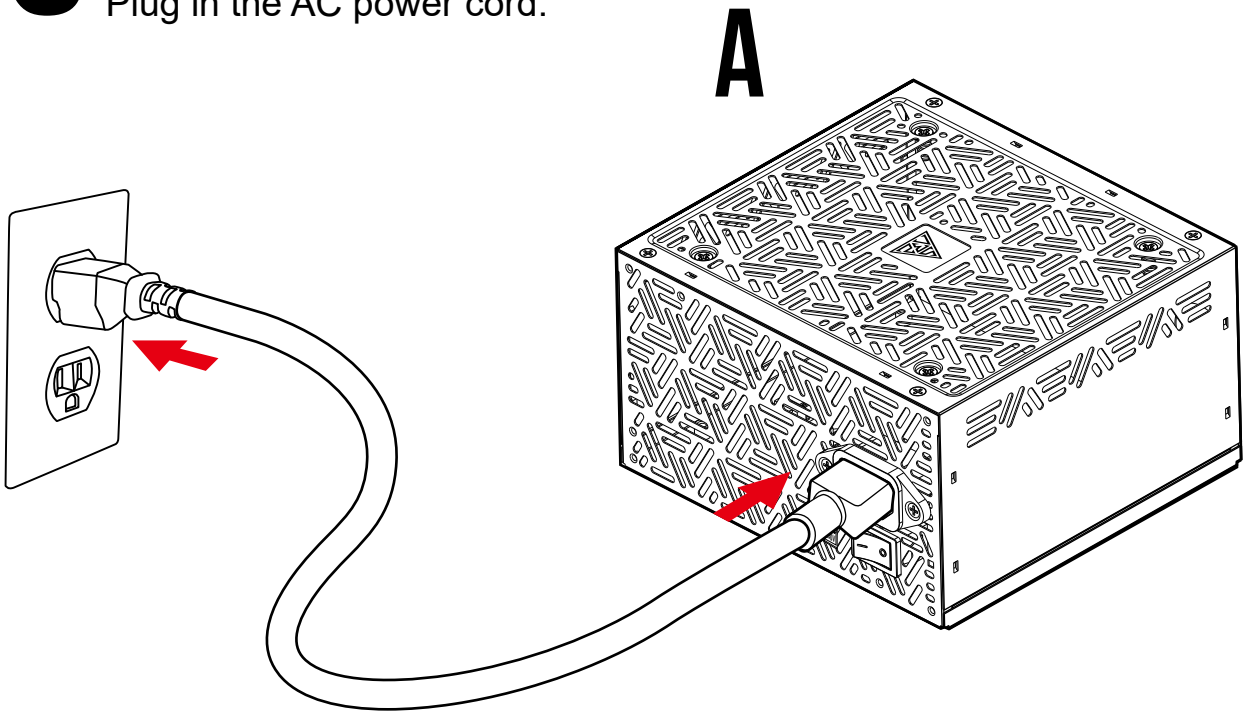
# 8 Molex



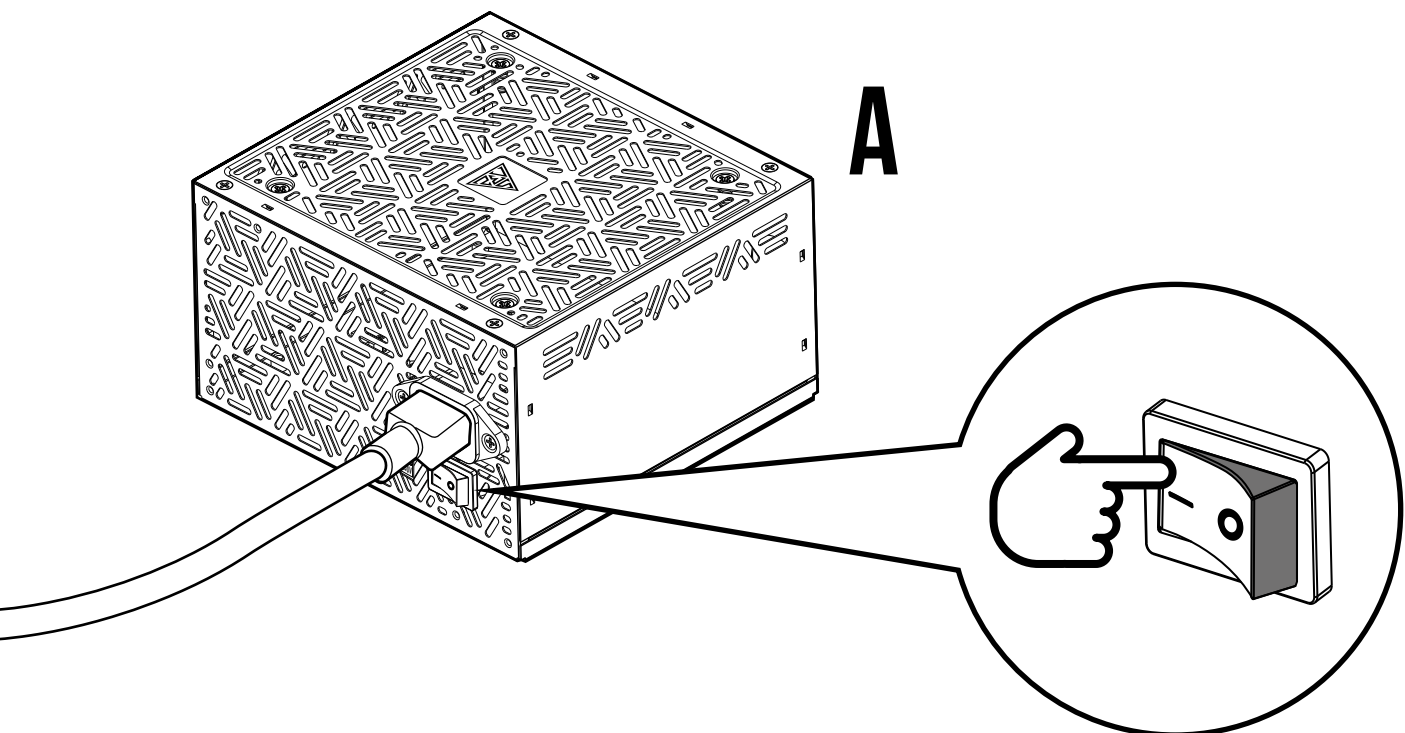
# 9 FDD



**10** Plug in the AC power cord.



**11** Turn on the PSU after installing by pushing I/O switch to "I" position.





**GAMDIAS**

GAMING ART IN MOTION